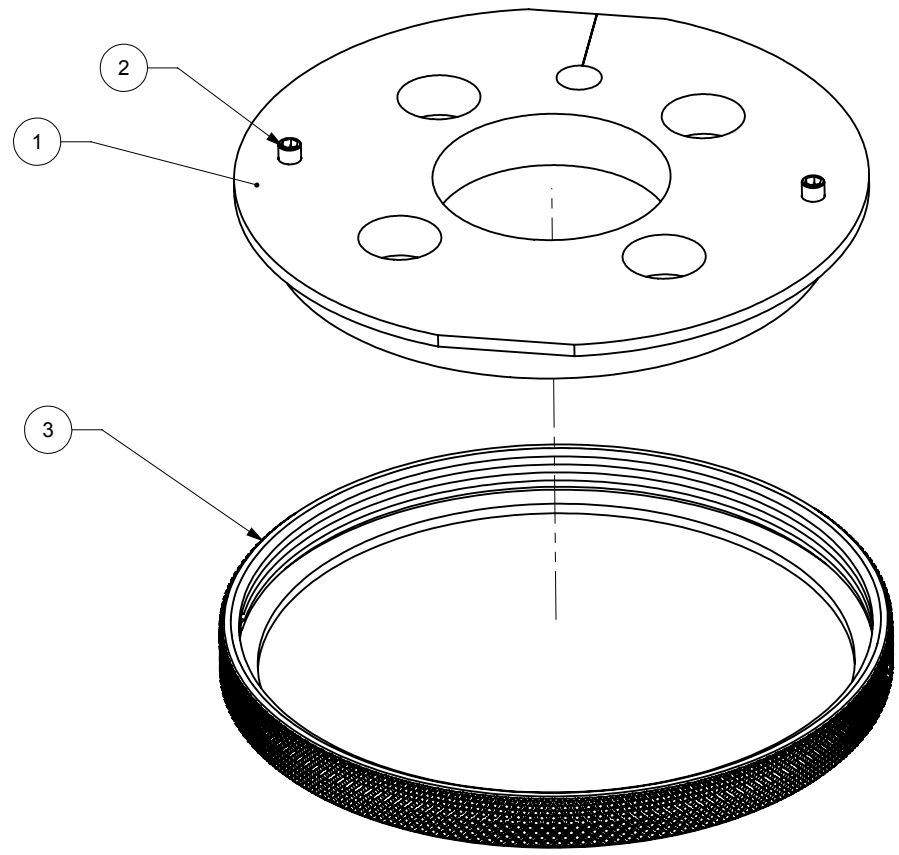
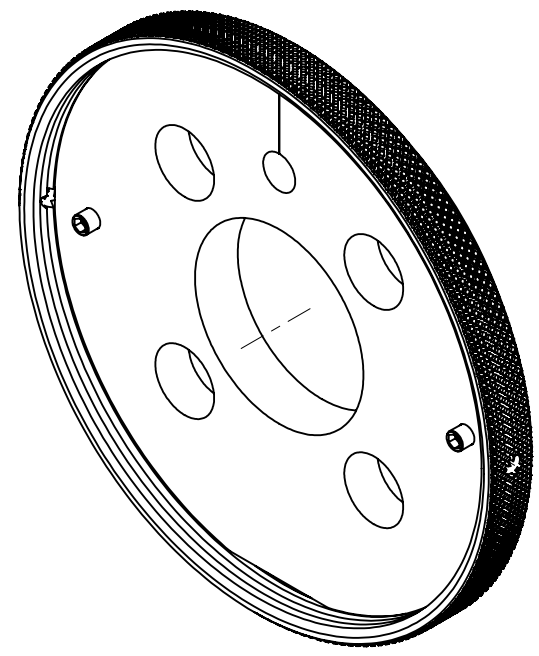
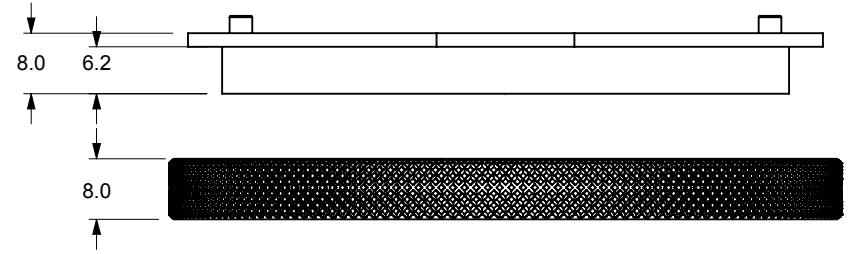


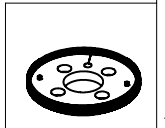
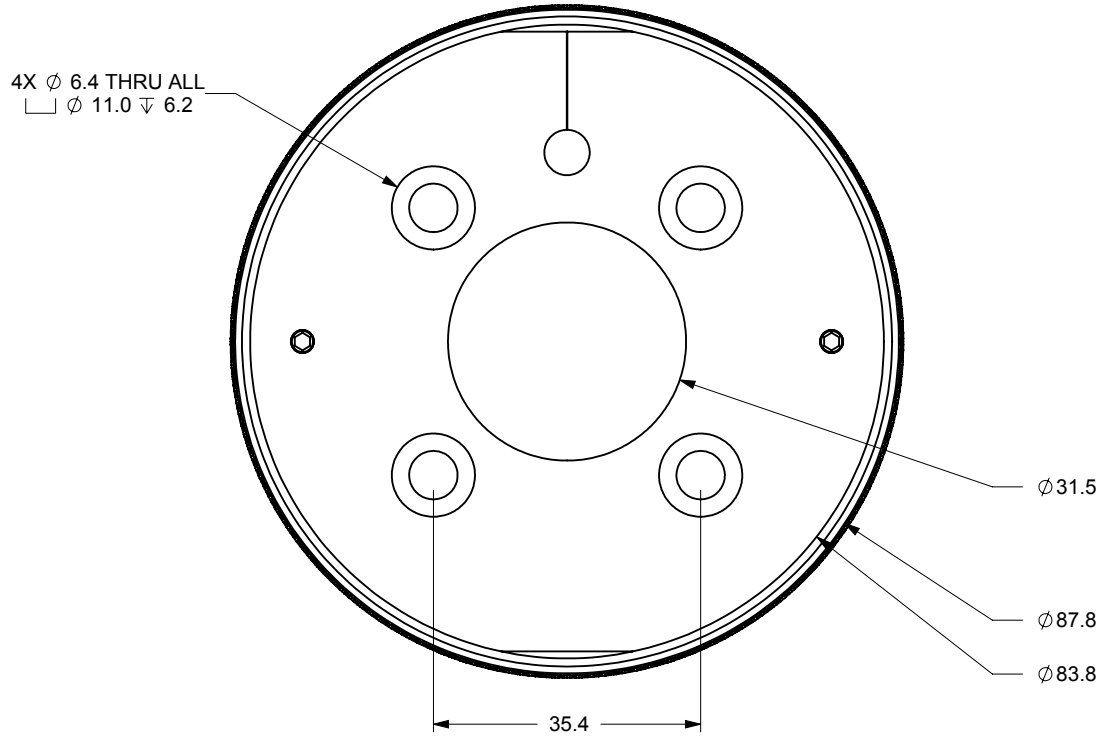
Item	QTY	P/N	Description	ModelRev
1	1	B4277	HandAdaptorPlate	AD.00
2	2	B3680	ThreadedDowelPin	AB.01
3	1	B2211	ThdConnectRing	AD.03



**EXPLODED**



**ASSEMBLED**



**Barrett Confidential**

This drawing and the intellectual property it describes are the property of Barrett Technology, Inc. Upon accepting receipt of this drawing you agree to the following: 1. No copies shall be made without written consent. 2. The drawing and its contents shall be guarded as confidential. 3. Upon request you shall return this drawing and any copies within 2 business days.  
©1988-2007 Barrett Technology, Inc.



**Barrett Technology, Inc.**

625 Mount Auburn Street, Cambridge, MA 02138 U.S.A.  
www.barrett.com Ph +617-252-9000 Fx +617-252-9021 mfg@barrett.com

**ASSEMBLY  
DRAWING**

**BHand-Assemblies**

Measurements in mm

Drawn	DW	Apr 18, 2011
Checked	es	May 31, 2013

Size **B**  
Scale **1:1**

**HandAdaptorAssembly**

PN <b>B4283</b>	REV <b>AB.01</b>
Mass <b>89.206 g</b>	Sheet <b>1 of 1</b>