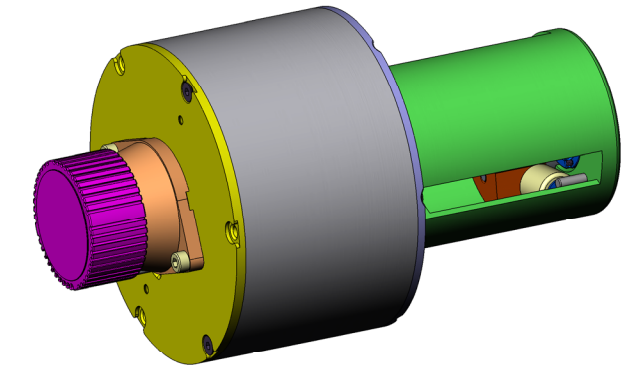


Item	Qty	P/N	ModelRev	Description	DwgRevsAccepted
1	1	M1-Emoteq	AA.09	WAMMotor	
2	1	B2282	AC.00	MotorCupAssy	
3	1	B2184	01.04	1/8" ID x .010 Shim	N/A
4	1	B2039	AB.01	BondedEncoderScaleAssy-MicroE	
5	1	B1069	AA.07	M2.5-0.45x10 SHCS	N/A
6	1	B2560	AB.01	BondedPuckAndMount-WAM	
7	2	B2564	01.03	M3-0.5x8 SHCS, SS 18-8	N/A

**ASSEMBLED
SCALE 1:2**



E

E

D

D

C

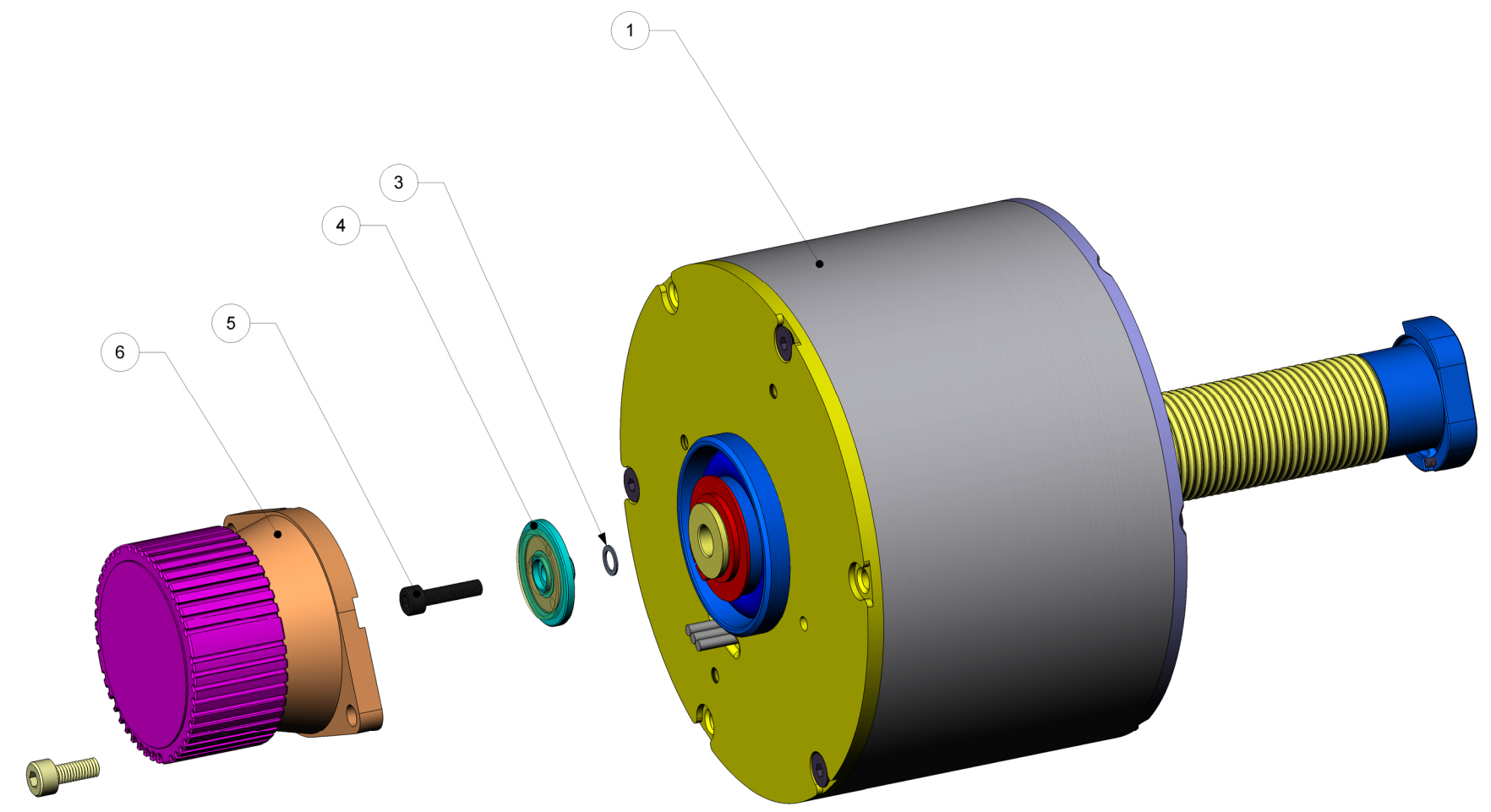
C

B

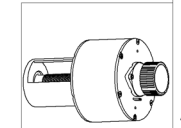
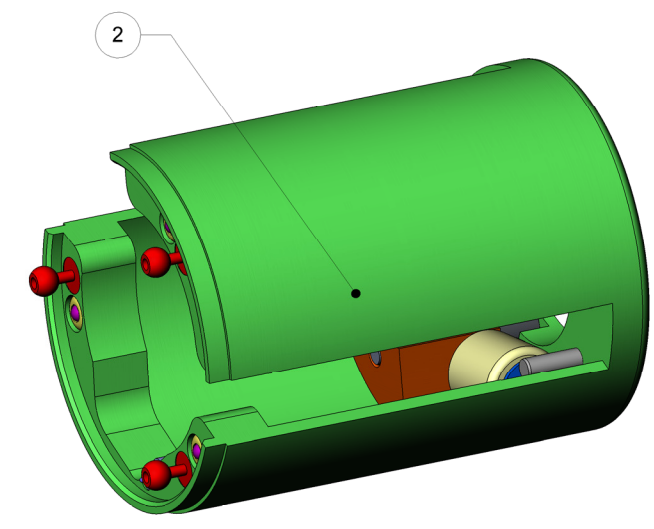
B

A

A



EXPLODED



Barrett Confidential

This drawing and the intellectual property it describes are the property of Barrett Technology, Inc. Upon accepting receipt of this drawing you agree to the following: 1. No copies shall be made without written consent. 2. The drawing and its contents shall be guarded as confidential. 3. Upon request you shall return this drawing and any copies within 2 business days.
©1988-2004 Barrett Technology, Inc.



Barrett Technology, Inc.

625 Mount Auburn St, Cambridge, MA 02138 U.S.A.
www.barrett.com Ph +617-252-9000 Fx +617-252-9021 mfg@barrett.com

ASSEMBLY
DRAWING

WAM Arm-Assy

Motor+Puck+Scale+Tensioner

Drawn	DW	Mar 3, 2005
Checked		

Size B
Scale 1:1

PN	B2095	REV	AA.00
Mass	27422.864	Sheet	1 of 1