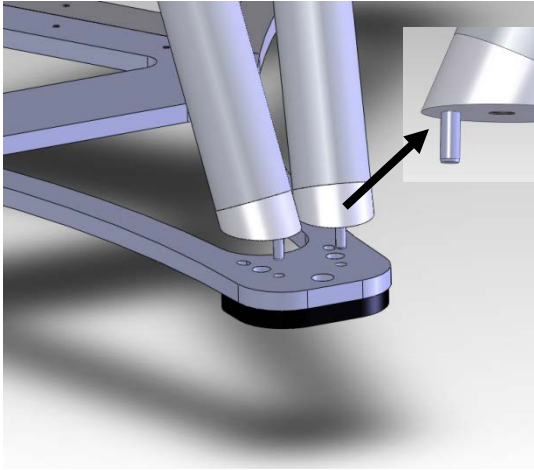
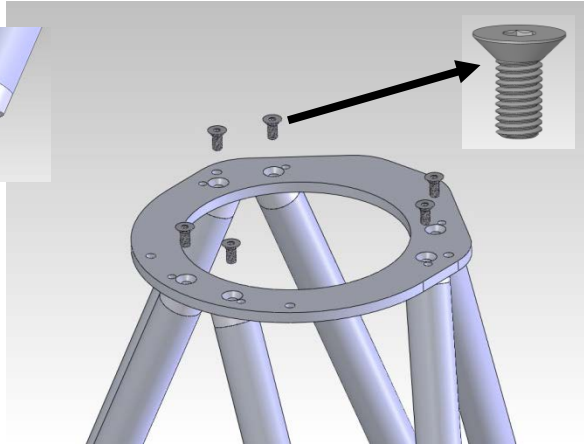


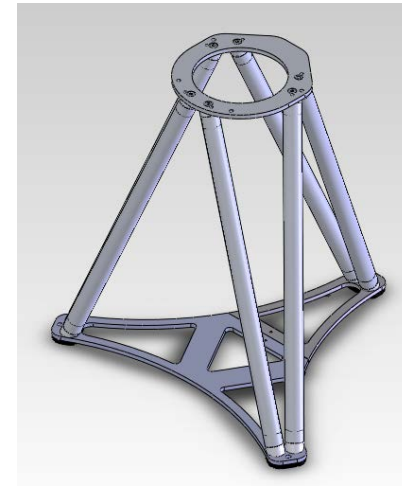
# WAM Stand Assembly



1. Connect the legs to the base plate by aligning the dowel pins with the holes.

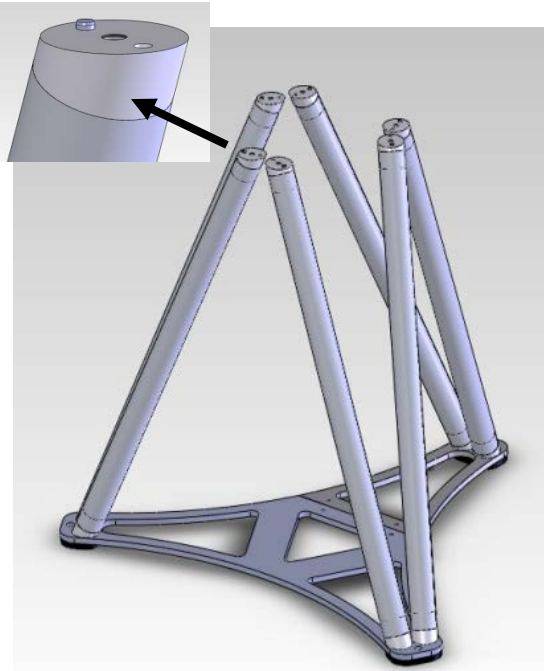


3. Place the top plate on the legs and screw in the six **flat-head M8 bolts**.



5. Flip upright and place the WAM on top.

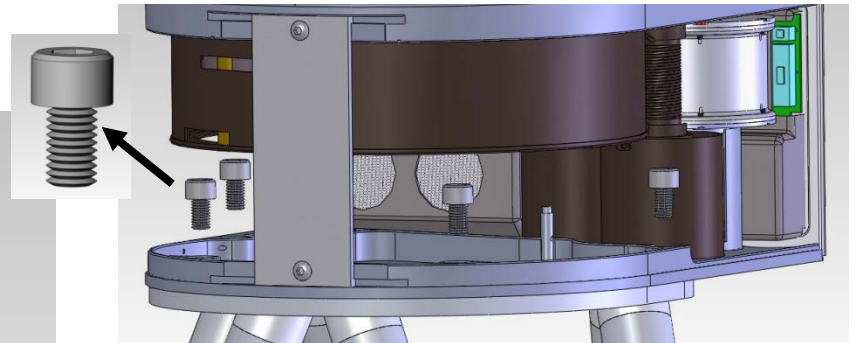
6. Remove the plastic base cover and connect the WAM to the stand using four **M10 bolts**. Replace the cover.



2. Repeat for all six legs.



4. Carefully flip the stand upside-down and screw in the six **low-head M8 bolts**.



## CAUTION

Always secure the stand to the floor or place an 20kg (44lb) or larger weight on the center of the stand before operating the robot.



# WAM Stand Mounting

The WAM Stand must be mounted securely to avoid tipping over during operation of the WAM. Barrett recommends one of the following methods:

Secure the Stand with a heavy object. **20kg (44lb) minimum is recommended.** Listed below are suggestions:

- 20kg weight (McMaster-Carr P/N 1788T26)
- 50lb weight (McMaster-Carr P/N 1788T12)
- 50lb bag of sand (generally available at local hardware stores)
- 5 gallon bucket of water (lid recommended)

Alternatively, bolt the stand to the floor or a suitable base, using M10 or 3/8" bolts, per the provided bolt pattern.

