

**PFM-540I**

AMD® Geode

LX 800 Processor

AMD LX 800 +CS 5536

RTL8139DL for 10/100Mbps

18/24-bit TFT LCD Panel

2 COM, 4 USB, 1 IrDA

## Copyright Notice

This document is copyrighted, 2006. All rights are reserved. The original manufacturer reserves the right to make improvements to the products described in this manual at any time without notice.

No part of this manual may be reproduced, copied, translated, or transmitted in any form or by any means without the prior written permission of the original manufacturer. Information provided in this manual is intended to be accurate and reliable. However, the original manufacturer assumes no responsibility for its use, or for any infringements upon the rights of third parties that may result from its use.

The material in this document is for product information only and is subject to change without notice. While reasonable efforts have been made in the preparation of this document to assure its accuracy, AAEON assumes no liabilities resulting from errors or omissions in this document, or from the use of the information contained herein.

AAEON reserves the right to make changes in the product design without notice to its users.

## Acknowledgments

All other products' name or trademarks are properties of their respective owners.

- Award is a trademark of Award Software International, Inc.
- CompactFlash™ is a trademark of the Compact Flash Association.
- Intel®, Pentium® M, and Celeron® M are trademarks of Intel® Corporation.
- Microsoft Windows® is a registered trademark of Microsoft Corp.
- AMD Geode® is a registered trademark of Advanced Micro Devices, Inc.
- ITE is a trademark of Integrated Technology Express, Inc.
- IBM, PC/AT, PS/2, and VGA are trademarks of International Business Machines Corporation.
- SoundBlaster is a trademark of Creative Labs, Inc.

All other product names or trademarks are properties of their respective owners.

## Packing List

Before you begin installing your card, please make sure that the following materials have been shipped:

- 9681540I00
  - Cable Kit for PFM-540I
    - 1701160201 VGA cable x 1
    - 1701260201 Printer Port Cable x 1
    - 1709100201 USB Cable x 1
    - 1700100200 LAN Cable x 1
    - 1700060152 Keyboard & Mouse Cable x 1
    - 1701440350 44-pin IDE Cable x 1
    - 1701100207 RS-232 Cable x 2
    - 1701340703 Floppy Disk Cable x 1
- 9657666600
  - Jumper Cap
- Quick Installation Guide
- Utility CD
- PFM-540I

If any of these items should be missing or damaged, please contact your distributor or sales representative immediately.

# Contents

## Chapter 1 General Information

1.1 Introduction.....	1-2
1.2 Features .....	1-3
1.3 Specifications .....	1-4

## Chapter 2 Quick Installation Guide

2.1 Safety Precautions .....	2-2
2.2 Location of Connectors and Jumpers .....	2-3
2.3 Mechanical Drawing .....	2-5
2.4 List of Jumpers .....	2-7
2.5 List of Connectors .....	2-8
2.6 Setting Jumpers .....	2-9
2.7 CFD Master/ Slave Selection (JP1) .....	2-10
2.8 RS-232 Ring/5V Selection (JP2).....	2-10
2.9 LCD Clock Selection and Clear CMOS (JP3) .....	2-10
2.10 Front Panel Connector (CN1) .....	2-11
2.11 PS2 Keyboard/Mouse Connector (CN2).....	2-11
2.12 Option Power Connector (CN3) .....	2-12
2.13 USB 3-4 Connector (CN4) .....	2-12
2.14 VGA Display Connector (CN5).....	2-12
2.15 USB 1-2 Connector (CN6) .....	2-13
2.16 PC 104 Connector (CN7) .....	2-13
2.17 LPT Port Connector (CN8).....	2-13

2.18 IDE Connector (CN9) .....	2-14
2.19 COM1 Connector (CN10).....	2-15
2.20 Floppy Connector (CN11) .....	2-16
2.21 Power Connector (CN12).....	2-17
2.22 COM 2 Connector (CN13).....	2-17
2.23 Ethernet Connector (CN14) .....	2-17
2.24 LCD Connector (CN15).....	2-18
2.25 Battery Connector (BAT1).....	2-20
2.26 DDR 1 SODIMM Slot (SODIMM1) .....	2-20

### **Chapter 3 Award BIOS Setup**

3.1 System Test and Initialization. ....	3-2
3.2 Award BIOS Setup .....	3-3

### **Chapter 4 Driver Installation**

4.1 Software Drivers.....	4-2
4.2 Necessary to know .....	4-3
4.3 Installing VGA Driver .....	4-4
4.4 Installing AES Driver .....	4-5
4.5 Installing PCI to ISA Bridge Driver .....	4-6
4.6 Installing Ethernet Driver .....	4-7
4.7 Ethernet Software Configuration .....	4-7

### **Appendix A Programming The Watchdog Timer**

A.1 Programming .....	A-2
A.2 IT8712F-A Watchdog Timer Initial Program .....	A-6

**Appendix B I/O Information**

B.1 I/O Address Map .....B-2  
B.2 Memory Address Map .....B-3  
B.3 IRQ Mapping Chart .....B-4  
B.4 DMA Channel Assignments .....B-4

**Appendix C Mating Connector**

C.1 List of Mating Connectors and Cables..... C-2

Chapter

1

**General  
Information**



## 1.1 Introduction

---

AAEON Technology, a leading company in embedded boards manufacturing with a full range of PC/104 CPU Modules, launches an economic version PC/104 CPU Module-PFM-540I. Its compact size and rich functionality ensures the most cost effective and compatible module to coincide with your existing system planning devices.

PFM-540I adopts an AMD Geode LX800 processor that is more cost effective compared to other PC/104 CPU modules on the market. This model supports DDR 333 SODIMM Memory up to 1GB (DDR 400 optional). Although PFM-540I is a small board, it offers the full functions customers demand. The chipset of PFM-540I deploys AMD LX800 and CS5536 that makes this board achieve high performance. It features one 10/100Base-TX Ethernet port, four USB 2.0 ports, two serial ports, one parallel port, IR interface, watchdog timer and includes PC/104 expansion.

PFM-540I is a RoHS compliant product that is fanless and fully supports ISA and CFD. For Operating Systems, it supports regular embedded OS, such as WinCE, and WinXP Embedded, Windows XP Professional for easy compatibility with customers' existing OS systems.

## 1.2 Features

---

- AMD Geode LX800 (500MHz) Processor
- Supports Onboard DDR SDRAM, Max. 1GB for DDR333 and 512MB for DDR400
- Supports 18/24-bit TFT LCD panel
- Supports CFD Type I, ATA-33
- Supports 4 USB 2.0 ports, 2 COM ports and 1 Parallel port
- Supports one 10/100Base-TX Ethernet
- Supports +5V/AT only
- Lead-free & ROHS Compliance

## 1.3 Specifications

---

### System

- Processor AMD Geode LX 800 (500MHz)  
Processor
- System Memory 200-pin Onboard DDR SDRAM  
SODIMM x 1, Max. 1GB for DDR333  
and 512MB for DDR 400 (Please refer  
to the Quick Installation Guide **2.26**  
**DDR1 SODIMM Slot** for details)
- Chipset AMD LX 800 + CS5536
- I/O Chipset IT8712F-A
- Ethernet Realtek RTL8139DL, 10/100Mbps,  
RJ-45 x 1
- BIOS AWARD 512KB Flash ROM
- Watchdog Timer IT8712F-A
- RTC IT8712F-A
- Solid Storage Disk CompactFlash™ Type I x 1
- Expansion Interface PC/104 x 1
- Power Requirement +5V/AT
- Board Size 3.55"(L) x 3.775"(W) (90mm x 96mm)
- Operating Temperature 32°F~ 140°F (0°C ~ 60°C)

## Display

- Chipset AMD LX 800
- Memory Shared system memory up to 254 MB
- Resolution Up to 1920 x 1440 @ 32bpp for CRT  
Up to 1024 x 768 @ 24bpp for LCD
- LCD Interface Up to 18/24-bit TTL TFT LCD

## I/O

- MIO EIDE x 1 (UDMA-33 x 1); Floppy Disk Drive x 1; Keyboard & Mouse x 1; RS-232 x 1; RS-232/422/485 x 1; Parallel x 1
- IDE Interface ATA-33 x 1 channel, 44-pin header
- USB Four USB 2.0 Ports—Two 5x2 pin headers support four USB ports
- IR Interface IrDA

## Chapter

# 2

# Quick Installation Guide

**Notice:**

*The Quick Installation Guide is derived from Chapter 2 of user manual. For other chapters and further installation instructions, please refer to the user manual CD-ROM that came with the product.*



## 2.1 Safety Precautions

---

**Warning!**

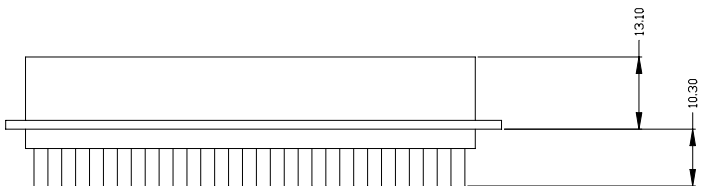
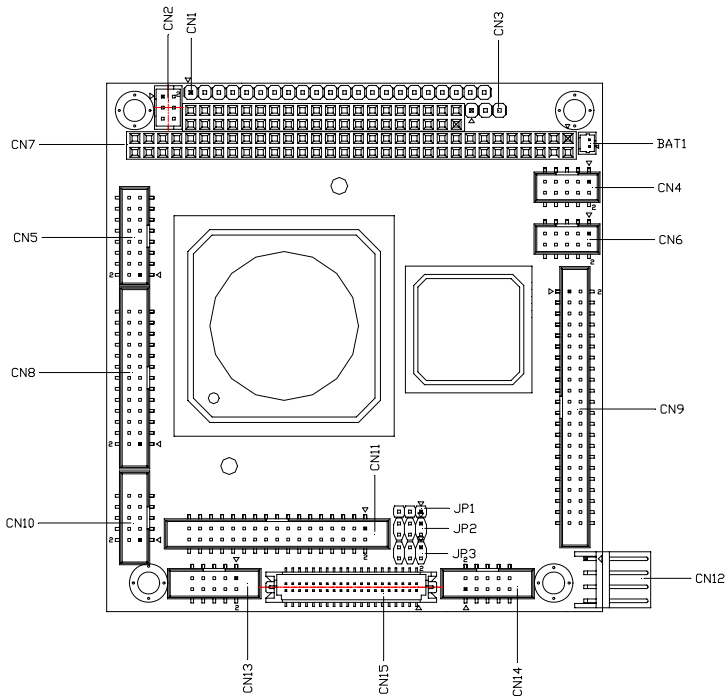
*Always completely disconnect the power cord from your board whenever you are working on it. Do not make connections while the power is on, because a sudden rush of power can damage sensitive electronic components.*

**Caution!**

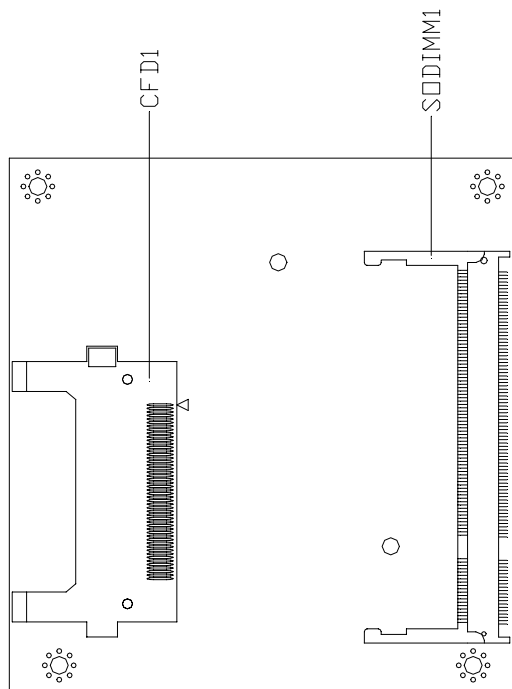
*Always ground yourself to remove any static charge before touching the board. Modern electronic devices are very sensitive to static electric charges. Use a grounding wrist strap at all times. Place all electronic components on a static-dissipative surface or in a static-shielded bag when they are not in the chassis*

## 2.2 Location of Connectors and Jumpers

### Component Side



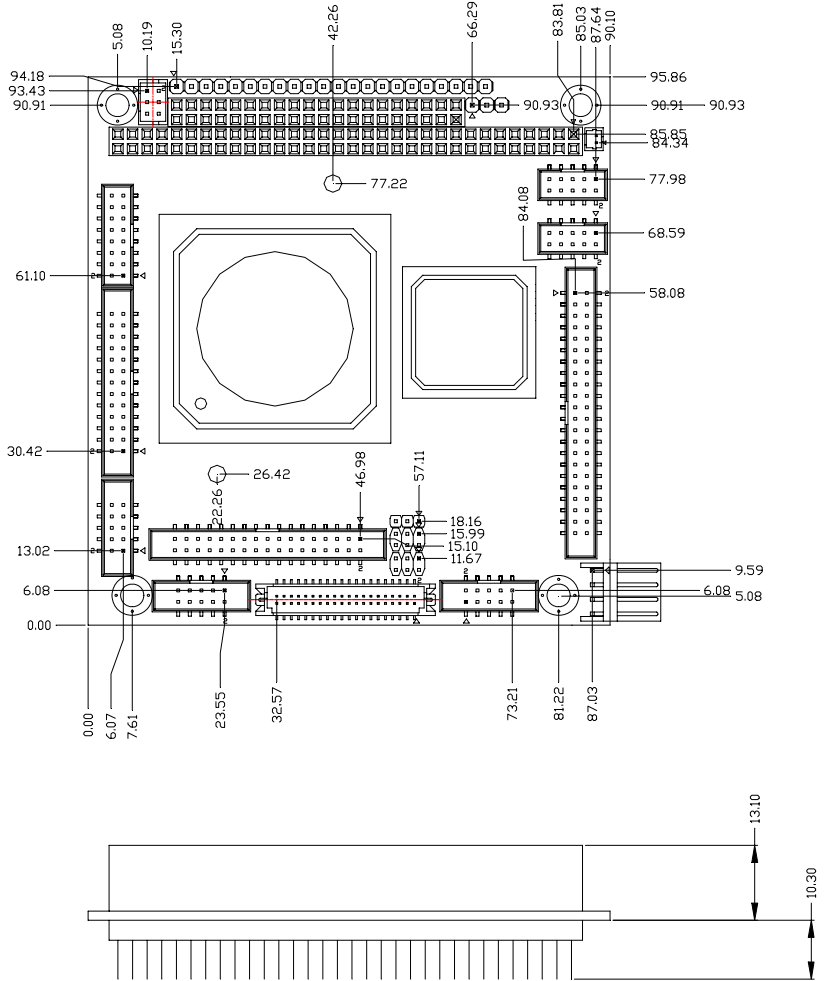
Solder Side



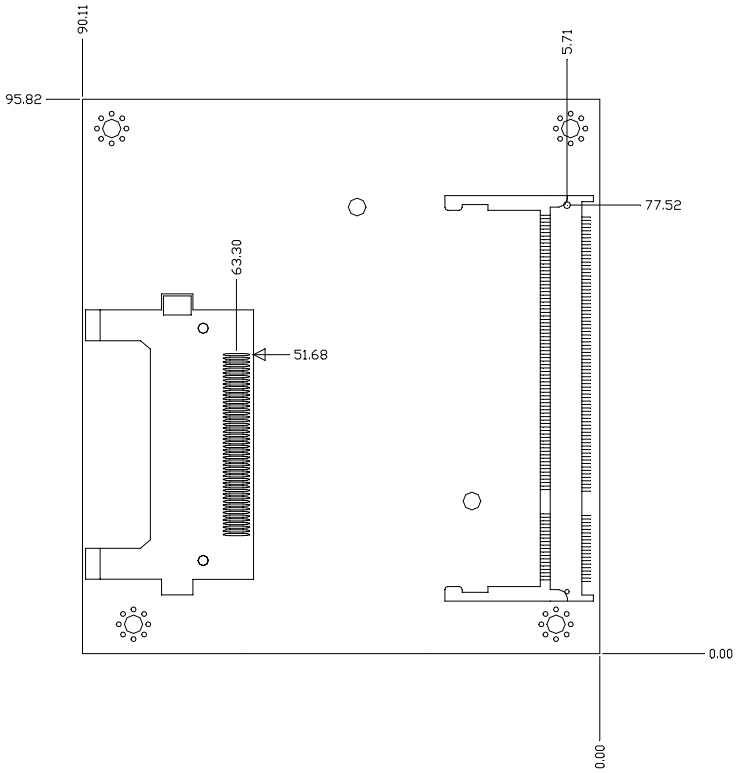


### 2.3 Mechanical Drawing

#### Component Side



Solder Side



## 2.4 List of Jumpers

---

The board has a number of jumpers that allow you to configure your system to suit your application.

The table below shows the function of each of the board's jumpers:

### Jumpers

Label	Function
JP1	CFD Master/Slave Selection
JP2	RS-232 Ring/5V Selection
JP3	LCD Clock Selection and Clear COMS

## 2.5 List of Connectors

---

The board has a number of connectors that allow you to configure your system to suit your application. The table below shows the function of each board's connectors:

**Note:** For further information about mating connectors, please refer to the appendix of manual.

### Connectors

Label	Function
CN1	Front Panel Connector
CN2	PS2 Keyboard/Mouse Connector
CN3	Option Power Connector
CN4	USB Connector
CN5	VGA Display Connector
CN6	USB Connector
CN7	PC104 Connector
CN8	LPT Port Connector
CN9	IDE Connector
CN10	COM1 Connector
CN11	Floppy Connector
CN12	Power Connector
CN13	COM2 Connector
CN14	Ethernet Connector
CN15	LCD Connector
BAT1	Battery Connector

---

CFD1	Type1 Compact Flash Slot
------	--------------------------

---

SODIMM1	DDR1 SODIMM Slot
---------	------------------

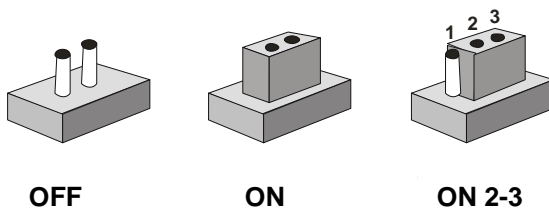
---

## 2.6 Setting Jumpers

---

You configure your card to match the needs of your application by setting jumpers. A jumper is the simplest kind of electric switch. It consists of two metal pins and a small metal clip (often protected by a plastic cover) that slides over the pins to connect them. To “close” a jumper you connect the pins with the clip.

To “open” a jumper you remove the clip. Sometimes a jumper will have three pins, labeled 1, 2 and 3. In this case you would connect either pins 1 and 2 or 2 and 3.



A pair of needle-nose pliers may be helpful when working with jumpers.

If you have any doubts about the best hardware configuration for your application, contact your local distributor or sales representative before you make any change.

Generally, you simply need a standard cable to make most connections.

## 2.7 CFD Master/Slave Selection (JP1)

---

<b>JP1</b>	<b>Function</b>
1-2	Slave
2-3	Master (Default)

---

## 2.8 RS-232 Ring/5V Selection (JP2)

---

<b>JP2</b>	<b>Function</b>
<b>COM1</b>	
1-3	+5V
3-5	Ring (Default)
<b>COM2</b>	
2-4	+5V
4-6	Ring (Default)

---

## 2.9 LCD Clock Selection and Clear CMOS (JP3)

---

<b>JP3</b>	<b>Function</b>
<b>LCD Clock</b>	
1-3	Normal (Default)
3-5	Reverse
<b>CMOS</b>	
2-4	Protected (Default)

---

## 2.10 Front Panel Connector (CN1)

Pin	Signal	Pin	Signal
1	Power LED (+)	2	Power LED (-)
3	N.C.	4	Speaker (+)
5	Speaker(-)	6	N.C.
7	IDE LED(+)	8	IDE LED(-)
9	N.C.	10	Reset(+)
11	Reset(-)	12	N.C.
13	Lan Speed LED(+)	14	Lan Speed LED(-)
15	Lan Active LED(+)	16	Lan Active LED(-)
17	N.C.	18	IrDA(+5V)
19	IrDA(N.C.)	20	IrDA(RX)
21	IrDA(GND)	22	IrDA(TX)

## 2.11 PS2 Keyboard/Mouse Connector (CN2)

Pin	Signal	Pin	Signal
1	KB_DATA	2	KB_CLK
3	GND	4	+5V
5	MS_DATA	6	MS_CLK

## 2.12 Option Power Connector (CN3)

---

Pin	Signal
1	-12V
2	-5V
3	GND

## 2.13 USB 3-4 Connector (CN4)

---

Pin	Signal	Pin	Signal
1	+5V	2	GND
3	USBD3-	4	GND
5	USBD3+	6	USBD4+
7	GND	8	USBD4-
9	GND	10	+5V

## 2.14 VGA Display Connector (CN5)

---

Pin	Signal	Pin	Signal
1	RED	2	+5V
3	GREEN	4	GND
5	BLUE	6	N.C.
7	N.C.	8	DDCDAT
9	GND	10	HSYNC



11	GND	12	VSYNC
13	GND	14	DDCCLK
15	GND	16	GND

### 2.15 USB 1-2 Connector (CN6)

Pin	Signal	Pin	Signal
1	+5V	2	GND
3	USBD1-	4	GND
5	USBD1+	6	USBD2+
7	GND	8	USBD2-
9	GND	10	+5V

### 2.16 PC 104 Connector (CN7)

As standard.

**Note:** PFM-540I does not support ISA card with DMA or Master mode in PC/104 interface.

### 2.17 LPT Port Connector (CN8)

Pin	Signal	Pin	Signal
1	#STROBE	2	#AFD
3	DATA0	4	#ERROR

5	DATA1	6	#INIT
7	DATA2	8	#SLIN
9	DATA3	10	GND
11	DATA4	12	GND
13	DATA5	14	GND
15	DATA6	16	GND
17	DATA7	18	GND
19	#ACK	20	GND
21	BUSY	22	GND
23	PE	24	GND
25	SELECT	26	N.C.

## 2.18 IDE Connector (CN9)

Pin	Signal	Pin	Signal
1	#RESET	2	GND
3	DATA7	4	DATA8
5	DATA6	6	DATA9
7	DATA5	8	DATA10
9	DATA4	10	DATA11
11	DATA3	12	DATA12
13	DATA2	14	DATA13
15	DATA1	16	DATA14
17	DATA0	18	DATA15

19	GND	20	N.C.
21	REQ	22	GND
23	#IOW	24	GND
25	#IOR	26	GND
27	IOREADY	28	GND
29	#DACK	30	GND
31	IRQ	32	N.C.
33	ADDR1	34	DETECT
35	ADDR0	36	ADDR2
37	#CS0	38	#CS1
39	HDDLED	40	GND
41	+5V	42	+5V
43	GND	44	N.C.

**Note:** The IDE interface on PFM-540I only supports two IDE devices. If you use a CF card, there is only one IDE device usable.

## 2.19 COM1 Connector (CN10)

Pin	Signal	Pin	Signal
1	DCD	2	RXD
3	TXD	4	DTR
5	GND	6	DSR
7	RTS	8	CTS
9	RI/5V	10	N.C.

## 2.20 Floppy Connector (CN11)

Pin	Signal	Pin	Signal
1	GND	2	#DENSEL
3	GND	4	N.C.
5	GND	6	N.C.
7	GND	8	#INDEX
9	GND	10	#MOTOR A
11	GND	12	#DRIVE SELECT B
13	GND	14	#DRIVE SELECT A
15	GND	16	#MOTOR B
17	GND	18	#DIR
19	GND	20	#STEP
21	GND	22	#WRITE DATA
23	GND	24	#WRITE GATE
25	GND	26	#TRACK0
27	GND	28	#WRITE PROTECT
29	N.C.	30	#READ DATA
31	GND	32	#HDSEL
33	N.C.	34	#DISK CHANGE

## 2.21 Power Connector (CN12)

---

Pin	Signal	Pin	Signal
1	+5V	2	GND
3	GND	4	+12V

## 2.22 COM 2 Connector (CN13)

---

Pin	Signal	Pin	Signal
1	DCD(485/422_TX-)	2	RXD(422_RX+)
3	TXD(485/422_TX+)	4	DTR(422_RX-)
5	GND	6	DSR
7	RTS	8	CTS
9	RI/5V	10	N.C.

## 2.23 Ethernet Connector (CN14)

---

Pin	Signal	Pin	Signal
1	RX-	2	RX+
3	N.C.	4	N.C.
5	CHASSIS_GND	6	CHASSIS_GND
7	N.C.	8	N.C.
9	TX+	10	TX-

## 2.24 LCD Connector (CN15)

---

### 24-bit TTL

Pin	Signal	Pin	Signal
1	+5V	2	+5V
3	GND	4	GND
5	+3.3V	6	+3.3V
7	ENBKL	8	GND
9	BLUE0	10	BLUE1
11	BLUE2	12	BLUE3
13	BLUE4	14	BLUE5
15	BLUE6	16	BLUE7
17	GREEN0	18	GREEN1
19	GREEN2	20	GREEN3
21	GREEN4	22	GREEN5
23	GREEN6	24	GREEN7
25	RED0	26	RED1
27	RED2	28	RED3
29	RED4	30	RED5
31	RED6	32	RED7
33	GND	34	GND
35	CLOCK	36	VSYNC
37	DE	38	HSYNC
39	N.C.	40	ENAVEE

**18-bit TTL**

<b>Pin</b>	<b>Signal</b>	<b>Pin</b>	<b>Signal</b>
1	+5V	2	+5V
3	GND	4	GND
5	+3.3V	6	+3.3V
7	ENBKL	8	GND
9	N.C	10	N.C
11	BLUE0	12	BLUE1
13	BLUE2	14	BLUE3
15	BLUE4	16	BLUE5
17	N.C	18	N.C
19	GREEN0	20	GREEN1
21	GREEN2	22	GREEN3
23	GREEN4	24	GREEN5
25	N.C	26	N.C
27	RED0	28	RED1
29	RED2	30	RED3
31	RED4	32	RED5
33	GND	34	GND
35	CLOCK	36	VSYNC
37	DE	38	HSYNC
39	N.C	40	ENAVEE

## 2.25 Battery Connector (BAT1)

Pin	Signal	Pin	Signal
1	+3V	2	GND

## 2.26 DDR1 SODIMM Slot (SODIMM1)

Standard SODIMM Slot

### Note from AMD:

Memory configurations supported. Only one DIMM or SODIMM is supported as long as the configuration requirements are met.

Devices	Max Memory <sup>1</sup>	Max GLIU Frequency	GLCP 4C00000Fh Upper Bits/Lower Bits	GLMC 2000001 Ah Bits 【26:24】
4	512M	400MHz	F2F100FFh/ 56960004h	4
8	1G	400MHz	F2F100FFh/ 56960004h	4
4	512M	333MHz	F2F100FFh/ 56960004h	3
8	1G	333MHz	F2F100FFh/ 56960004h	3
16	2G	333MHz	F2F100FFh/ 56960004h	3

1: Maximum memory is assuming 1Gbit devices.



Chapter

3

**Award  
BIOS Setup**

### 3.1 System Test and Initialization

---

These routines test and initialize board hardware. If the routines encounter an error during the tests, you will either hear a few short beeps or see an error message on the screen. There are two kinds of errors: fatal and non-fatal. The system can usually continue the boot up sequence with non-fatal errors. Non-fatal error messages usually appear on the screen along with the following instructions:

Press <F1> to RESUME

Write down the message and press the F1 key to continue the boot up sequence.

#### **System configuration verification**

These routines check the current system configuration against the values stored in the CMOS memory. If they do not match, the program outputs an error message. You will then need to run the BIOS setup program to set the configuration information in memory.

There are three situations in which you will need to change the CMOS settings:

1. You are starting your system for the first time
2. You have changed the hardware attached to your system
3. The CMOS memory has lost power and the configuration information has been erased.

The PFM-540I CMOS memory has an integral lithium battery backup for data retention. However, you will need to replace the complete unit when it finally runs down.

## 3.2 Award BIOS Setup

---

Awards BIOS ROM has a built-in Setup program that allows users to modify the basic system configuration. This type of information is stored in battery-backed CMOS RAM so that it retains the Setup information when the power is turned off.

### Entering Setup

Power on the computer and press <Del> immediately. This will allow you to enter Setup.



### Standard CMOS Features

Use this menu for basic system configuration. (Date, time, IDE, etc.)

### Advanced BIOS Features

Use this menu to set the advanced features available on your system.

## **Advanced Chipset Features**

Use this menu to change the values in the chipset registers and optimize your system performance.

## **Integrated Peripherals**

Use this menu to specify your settings for integrated peripherals. (Primary slave, secondary slave, keyboard, mouse etc.)

## **Power Management Setup**

Use this menu to specify your settings for power management. (HDD power down, power on by ring, KB wake up, etc.)

## **PnP/PCI Configurations**

This entry appears if your system supports PnP/PCI.

## **PC Health Status**

This menu allows you to set the shutdown temperature for your system.

## **Frequency/Voltage Control**

Use this menu to specify your settings for auto detect DIMM/PCI clock and spread spectrum.

## **Load Fail-Safe Defaults**

Use this menu to load the BIOS default values for the minimal/stable performance for your system to operate.

## **Load Optimized Defaults**

Use this menu to load the BIOS default values that are factory settings for optimal performance system operations. While AWARD has designated the custom BIOS to maximize performance, the factory has the right to change these defaults to meet their needs.

## **Set Supervisor/User Password**

Use this menu to set Supervisor/User Passwords.

## **Save and Exit Setup**

Save CMOS value changes to CMOS and exit setup.

## **Exit Without Saving**

Abandon all CMOS value changes and exit setup.

**You can refer to the “AAEON BIOS Item Description.pdf” file in the CD for the meaning of each setting in this chapter.**

**Chapter**

**4**

**Driver  
Installation**

## 4.1 Software Drivers

---

This chapter describes the operation and installation of the display drivers supplied on the Supporting CD-ROM that are shipped with your product. The onboard VGA adapter is based on the AMD LX VGA Flat Panel/CRT controller. This controller offers a large set of extended functions and higher resolutions. The purpose of the enclosed software drivers is to take advantage of the extended features of the AMD LX VGA Flat Panel/CRT controller.

### Hardware Configuration

Some of the high-resolution drivers provided in this package will work only in certain system configurations. If a driver does not display correctly, try the following:

1. Change the display controller to CRT-only mode, rather than flat panel or simultaneous display mode. Some high-resolution drivers will display correctly only in CRT mode.
2. If a high-resolution mode does not support your system, try to use a lower-resolution mode. For example, 1024 x 768 mode will not work on some systems, but 800 x 600 mode supports the most.

## 4.2 Necessary to Know

---

The instructions in this manual assume that you understand elementary concepts of MS-DOS and the IBM Personal Computer. Before you attempt to install any driver from the *Supporting CD-ROM*, you should:

- Know how to copy files from a CD-ROM to a directory on the hard disk
- Understand the MS-DOS directory structure

If you are uncertain about any of these concepts, please refer to the DOS or OS/2 user reference guides for more information before you proceed with the installation.

### Before you begin

The Supporting CD-ROM contains different drivers for corresponding Windows OS, please choose the specific driver for your Windows OS.



### 4.3 Installing VGA Driver

---

#### Win XP / Win XPe VGA

Place the Driver CD-ROM into your CD-ROM drive and follow the steps below to install.

1. Click on **Start** button.
2. Click on **Settings** button.
3. Click on **Control Panel** button.
4. Click on **System** button.
5. Select **Hardware** and click on **Device Manager...**
6. Double click on **Video Controller (VGA Compatible)**.
7. Click on **Update Driver...**
8. Click on **Next**.
9. Select **Search for a suitable driver...**, then click on **Next**.
10. Select **Specify a location**, then click on **Next**.
11. Click on **Browse**.
12. Select "lx\_win" file from CD-ROM (**Drivers/Step 1 – LX\_Graphics**) then click on **Open**.
13. Click on **OK**.
14. Click on **Next**.
15. Click on **Yes**.
16. Click on **Finish**.

**Note:** The user must install this system driver before install other device drivers.

## 4.4 Installing AES Driver

---

### Win XP / Win XPe Geode LX AES Crypto

Place the Driver CD-ROM into your CD-ROM drive and follow the steps below to install.

1. Click on **Start** button.
2. Click on **Settings** button.
3. Click on **Control Panel** button.
4. Click on **System** button.
5. Select **Hardware** and click on **Device Manager...**
6. Double click on **Entertainment Encryption/Decryption Controller**.
7. Click on **Update Driver....**
8. Click on **Next**.
9. Select **Search for a suitable driver...**, then click on **Next**.
10. Select **Specify a location**, then click on **Next**.
11. Click on **Browse**.
12. Select "**GeodeLX\_XP\_WDM\_AES\_v2.01.00**" file from CD-ROM (**Driver/Step 2 – AES**) then click on **Open**.
13. Click on **OK**.
14. Click on **Next**.
15. Click on **Yes**.
16. Click on **Finish**.

## 4.5 Installing PCI to ISA Bridge Driver

---

### Win XP / Win XPe System

Place the Driver CD-ROM into your CD-ROM drive and follow the steps below to install.

1. Click on **Start** button.
2. Click on **Settings** button.
3. Click on **Control Panel** button.
4. Click on **System** button.
5. Select **Hardware** and click on **Device Manager....**
6. Double click on **Other PCI Bridge Device**
7. Click on **Update Driver....**
8. Click on **Next**.
9. Select **Search for a suitable driver....**, then click on **Next**.
10. Select **Specify a location**, then click on **Next**.
11. Click on **Browse**.
12. Select "**ite**" file from CD-ROM (**Drivers/Step 3 – PCI to ISA Bridge**) then click on **open**.
13. Click on **OK**.
14. Click on **Next**.
15. Click on **Finish**.

## 4.6 Installing Ethernet Driver

---

1. Click on the **Step 4 –Install Lan** folder.
2. Double click on the **Setup** file located in the folder.
3. Follow the instructions that the window shows.
4. The system will help you install the driver automatically.

## 4.7 Ethernet Software Configuration

---

The onboard Ethernet interface supports all major network operating systems. I/O addresses and interrupts are easily configured via the Insyde BIOS Setup. To configure the medium type, to view the current configuration, or to run diagnostics, please refer to the following instruction:

1. Power the main board on. Ensure that the RSET8139.EXE file is located in the working drive.
2. At the prompt, type RSET8139.EXE and press <ENTER>. The Ethernet configuration program will then be displayed.
3. This simple screen shows all the available options for the Ethernet interface. Just highlight the option you wish to change by using the Up and DOWN keys. To change a selected item, press <ENTER>, and a screen will appear with the available options. Highlight your option and press <ENTER>. Each highlighted option has a helpful message

guide displayed at the bottom of the screen for additional information.

4. After you have made your selections and the configuration is what you want, press <ESC>. A prompt will appear asking if you want to save the configuration. Press "Y" if you want to save.

There are three very useful diagnostic functions offered in the Ethernet Setup Menu as follows:

1. Run EEPROM test
2. Run Diagnostics on Board
3. Run Diagnostics on Network

Each option has its own display screen, which shows the format and result of any diagnostic tests undertaken.

Appendix

A

# Programming the Watchdog Timer

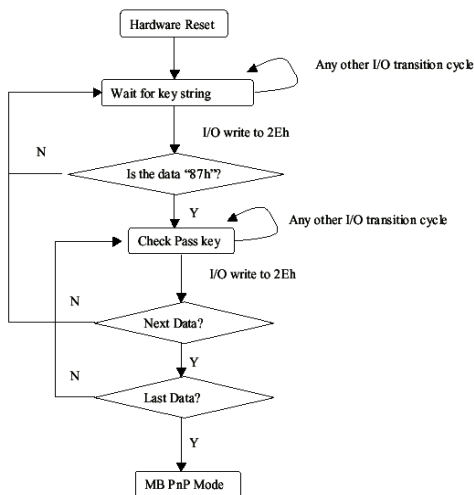
## A.1 Programming

PFM-5401 utilizes IT8712F-A chipset as its watchdog timer controller.

Below are the procedures to complete its configuration and the AAeon initial watchdog timer program is also attached based on which you can develop customized program to fit your application.

### Configuring Sequence Description

After the hardware reset or power-on reset, the IT8712F-A enters the normal mode with all logical devices disabled except KBC. The initial state (enable bit) of this logical device (KBC) is determined by the state of pin 121 (DTR1#) at the falling edge of the system reset during power-on reset.



There are three steps to complete the configuration setup: (1) Enter the MB PnP Mode; (2) Modify the data of configuration registers; (3) Exit the MB PnP Mode. Undesired result may occur if the MB PnP Mode is not exited normally.

### (1) Enter the MB PnP Mode

To enter the MB PnP Mode, four special I/O write operations are to be performed during Wait for Key state. To ensure the initial state of the key-check logic, it is necessary to perform four write operations to the Special Address port (2EH). Two different enter keys are provided to select configuration ports (2Eh/2Fh) of the next step.

	Address Port	Data Port
87h, 01h, 55h, 55h:	2Eh	2Fh

### (2) Modify the Data of the Registers

All configuration registers can be accessed after entering the MB PnP Mode. Before accessing a selected register, the content of Index 07h must be changed to the LDN to which the register belongs, except some Global registers.

### (3) Exit the MB PnP Mode

Set bit 1 of the configure control register (Index=02h) to 1 to exit the MB PnP Mode.



## WatchDog Timer Configuration Registers

### LDN Index R/W Reset Configuration Register or Action

All	02H	W	N/A	Configure Control
07H	71H	R/W	00H	WatchDog Timer Control Register
07H	72H	R/W	00H	WatchDog Timer Configuration Register
07H	73H	R/W	00H	WatchDog Timer Time-out Value Register

### Configure Control (Index=02h)

This register is write only. Its values are not sticky; that is to say, a hardware reset will automatically clear the bits, and does not require the software to clear them.

#### Bit Description

7-2	Reserved
1	Returns to the Wait for Key state. This bit is used when the configuration sequence is completed
0	Resets all logical devices and restores configuration registers to their power-on states.

### WatchDog Timer Control Register (Index=71h, Default=00h)

#### Bit Description

7	WDT is reset upon a CIR interrupt
6	WDT is reset upon a KBC (mouse) interrupt
5	WDT is reset upon a KBC (keyboard) interrupt
4	WDT is reset upon a read or a write to the Game Port base address
3-2	Reserved
1	Force Time-out. This bit is self-clearing
0	WDT Status
	1: WDT value reaches 0.
	0: WDT value is not 0

**WatchDog Timer Configuration Register (Index=72h,****Default=00h)**

<b>Bit</b>	<b>Description</b>
7	WDT Time-out value select
	1: Second
	0: Minute
6	WDT output through KRST (pulse) enable
5-4	Reserved
3-0	Select the interrupt level <sup>Note</sup> for WDT

**WatchDog Timer Time-out Value Register (Index=73h,****Default=00h)**

<b>Bit</b>	<b>Description</b>
7-0	WDT Time-out value 7-0

## A.2 IT8712F-A Watchdog Timer Initial Program

---

```
.MODEL SMALL
```

```
.CODE
```

Main:

```
CALL Enter_Configuration_mode
```

```
CALL Check_Chip
```

```
mov cl, 7
```

```
call Set_Logic_Device
```

```
;time setting
```

```
mov cl, 10 ; 10 Sec
```

```
dec al
```

Watch\_Dog\_Setting:

```
;Timer setting
```

```
mov al, cl
```

```
mov cl, 73h
```

```
call Superio_Set_Reg
```

```
;Clear by keyboard or mouse interrupt
```

```
mov al, 0f0h
```

```
mov cl, 71h
```

```
call Superio_Set_Reg
```

```
;unit is second.
```

```
mov al, 0C0H
```

```
mov cl, 72h
```

```
call Superio_Set_Reg
```

```
; game port enable  
mov cl, 9  
call Set_Logic_Device
```

```
Initial_OK:  
CALL Exit_Configuration_mode  
MOV AH,4Ch  
INT 21h
```

```
Enter_Configuration_Mode PROC NEAR  
MOV SI,WORD PTR CS:[Offset Cfg_Port]
```

```
MOV DX,02Eh  
MOV CX,04h  
Init_1:  
MOV AL,BYTE PTR CS:[SI]  
OUT DX,AL  
INC SI  
LOOP Init_1  
RET  
Enter_Configuration_Mode ENDP
```

```
Exit_Configuration_Mode PROC NEAR  
MOV AX,0202h  
CALL Write_Configuration_Data
```

RET

Exit\_Configuration\_Mode ENDP

Check\_Chip PROC NEAR

MOV AL,20h

CALL Read\_Configuration\_Data

CMP AL,87h

JNE Not\_Initial

MOV AL,21h

CALL Read\_Configuration\_Data

CMP AL,12h

JNE Not\_Initial

Need\_Initial:

STC

RET

Not\_Initial:

CLC

RET

Check\_Chip ENDP

Read\_Configuration\_Data PROC NEAR

MOV DX,WORD PTR CS:[Cfg\_Port+04h]

OUT DX,AL

```
MOV DX,WORD PTR CS:[Cfg_Port+06h]
IN AL,DX
RET
Read_Configuration_Data ENDP
```

```
Write_Configuration_Data PROC NEAR
MOV DX,WORD PTR CS:[Cfg_Port+04h]
OUT DX,AL
XCHG AL,AH
MOV DX,WORD PTR CS:[Cfg_Port+06h]
OUT DX,AL
RET
Write_Configuration_Data ENDP
```

```
Superio_Set_Reg proc near
push ax
MOV DX,WORD PTR CS:[Cfg_Port+04h]
mov al,cl
out dx,al
pop ax
inc dx
out dx,al
ret
Superio_Set_Reg endp.Set_Logic_Device proc near
Set_Logic_Device proc near
```

```
push ax
push cx
xchg al,cl
mov cl,07h
call Superio_Set_Reg
pop cx
pop ax
ret
Set_Logic_Device endp
```

```
;Select 02Eh->Index Port, 02Fh->Data Port
Cfg_Port DB 087h,001h,055h,055h
```

```
DW 02Eh,02Fh
```

## END Main

*Note: Interrupt level mapping*

0Fh-Dh: not valid

0Ch: IRQ12

.

.

03h: IRQ3

02h: not valid

01h: IRQ1

00h: no interrupt selected

Appendix

**B**

**I/O Information**



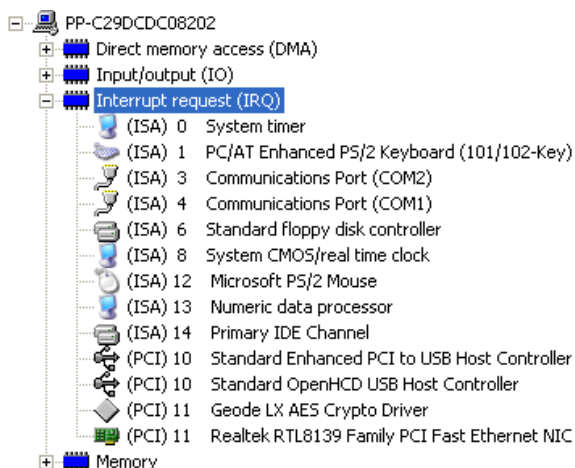
## B.1 I/O Address Map

PP-C29DCDC08202	
+	Direct memory access (DMA)
+	Input/output (IO)
	[00000000 - 0000000F] Direct memory access controller
	[00000020 - 00000021] Programmable interrupt controller
	[00000022 - 0000003F] PCI bus
	[00000040 - 00000043] System timer
	[00000044 - 00000047] PCI bus
	[0000004C - 0000006F] PCI bus
	[00000060 - 00000060] PC/AT Enhanced PS/2 Keyboard (101/102-Key)
	[00000061 - 00000061] System speaker
	[00000064 - 00000064] PC/AT Enhanced PS/2 Keyboard (101/102-Key)
	[00000070 - 00000071] System CMOS/real time clock
	[00000072 - 0000007F] PCI bus
	[00000081 - 00000083] Direct memory access controller
	[00000087 - 00000087] Direct memory access controller
	[00000089 - 0000008B] Direct memory access controller
	[0000008F - 00000091] Direct memory access controller
	[00000090 - 00000091] PCI bus
	[00000093 - 0000009F] PCI bus
	[000000A0 - 000000A1] Programmable interrupt controller
	[000000A2 - 000000BF] PCI bus
	[000000C0 - 000000DF] Direct memory access controller
	[000000E0 - 000000EF] PCI bus
	[000000F0 - 000000FF] Numeric data processor
	[00000100 - 00000CF7] PCI bus
	[00000170 - 00000177] Secondary IDE Channel
	[000001F0 - 000001F7] Primary IDE Channel
	[00000274 - 00000277] ISAPNP Read Data Port
	[00000279 - 00000279] ISAPNP Read Data Port
	[000002F8 - 000002FF] Communications Port (COM2)
	[00000376 - 00000376] Secondary IDE Channel
	[00000378 - 0000037F] Printer Port (LPT1)
	[000003B0 - 000003BA] Advanced Micro Devices Win XP Graphics Driver
	[000003C0 - 000003DF] Advanced Micro Devices Win XP Graphics Driver
	[000003F0 - 000003F5] Standard floppy disk controller
	[000003F6 - 000003F6] Primary IDE Channel
	[000003F7 - 000003F7] Standard floppy disk controller
	[000003F8 - 000003FF] Communications Port (COM1)
	[00000778 - 0000077F] Printer Port (LPT1)
	[00000A79 - 00000A79] ISAPNP Read Data Port
	[00000D00 - 0000FFFF] PCI bus
	[0000E000 - 0000E0FF] Realtek RTL8139 Family PCI Fast Ethernet NIC
	[0000F000 - 0000F00F] Standard Dual Channel PCI IDE Controller
+	Interrupt request (IRQ)
+	Memory

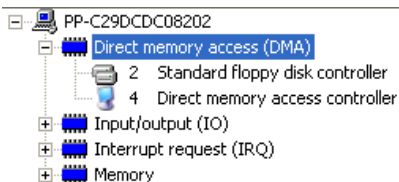
## B.2 1<sup>st</sup> MB Memory Address Map

[-]	[PC Icon]	PP-C29DCDC08202
[+]	[DMA Icon]	Direct memory access (DMA)
[+]	[IO Icon]	Input/output (IO)
[+]	[IRQ Icon]	Interrupt request (IRQ)
[+]	[Memory Icon]	Memory
	[System Board Icon]	[00000000 - 0009FFFF] System board
	[PCI Bus Icon]	[0009E000 - 0009EFFF] PCI bus
	[Advanced Micro Devices Win XP Graphics Driver Icon]	[000A0000 - 000BFFFF] Advanced Micro Devices Win XP Graphics Driver
	[PCI Bus Icon]	[000A0000 - 000BFFFF] PCI bus
	[PCI Bus Icon]	[000C8000 - 000EFFFF] PCI bus
	[Motherboard resources Icon]	[000E0000 - 000EFFFF] Motherboard resources
	[Motherboard resources Icon]	[000F0000 - 000F3FFF] Motherboard resources
	[Motherboard resources Icon]	[000F4000 - 000F7FFF] Motherboard resources
	[Motherboard resources Icon]	[000F8000 - 000FBFFF] Motherboard resources
	[Motherboard resources Icon]	[000FC000 - 000FFFFF] Motherboard resources
	[System Board Icon]	[00100000 - 00FFFFFF] System board
	[PCI Bus Icon]	[0DFC0000 - FFFFFFFFFF] PCI bus
	[Advanced Micro Devices Win XP Graphics Driver Icon]	[E8000000 - EBFFFFFF] Advanced Micro Devices Win XP Graphics Driver
	[Advanced Micro Devices Win XP Graphics Driver Icon]	[EC010000 - EC013FFF] Advanced Micro Devices Win XP Graphics Driver
	[Advanced Micro Devices Win XP Graphics Driver Icon]	[EC014000 - EC017FFF] Advanced Micro Devices Win XP Graphics Driver
	[Advanced Micro Devices Win XP Graphics Driver Icon]	[EC018000 - EC01BFFF] Advanced Micro Devices Win XP Graphics Driver
	[Geode LX AES Crypto Driver Icon]	[EC01C000 - EC01FFFF] Geode LX AES Crypto Driver
	[Advanced Micro Devices Win XP Graphics Driver Icon]	[EC020000 - EC023FFF] Advanced Micro Devices Win XP Graphics Driver
	[Standard OpenHCD USB Host Controller Icon]	[EC024000 - EC024FFF] Standard OpenHCD USB Host Controller
	[Standard Enhanced PCI to USB Host Controller Icon]	[EC025000 - EC025FFF] Standard Enhanced PCI to USB Host Controller
	[Realtek RTL8139 Family PCI Fast Ethernet NIC Icon]	[EC026000 - EC0260FF] Realtek RTL8139 Family PCI Fast Ethernet NIC
	[System Board Icon]	[FEE00000 - FEE0FFFF] System board
	[System Board Icon]	[FFFC0000 - FFFFFFFF] System board

### B.3 IRQ Mapping Chart



### B.4 DMA Channel Assignments



**Appendix**

**C**

**Mating Connector**

## C.1 List of Mating Connectors and Cables

The table notes mating connectors and available cables.

Connector Label	Function	Mating Connector		Available Cable	AAEON Cable P/N
		Vendor	Model no		
CN1	Front Panel Connector	Neltron	2226A-XX		N/A
CN2	PS2 Keyboard/ Mouse Connector	Neltron	2026B--XX	Keyboard & Mouse Cable	1700060152
CN3	Option Power Connector	Dupont	2541-1H		N/A
CN4	USB Connector	Neltron	2026B--XX	USB Cable	1709100201
CN5	VGA Display Connector	Neltron	2026B--XX	CRT Cable	1701160201
CN6	USB Connector	Neltron	2026B--XX	USB Cable	1709100201
CN8	LPT Port Connector	Keentop	1014 Series	Parallel Port Cable	1701260201

CN9	IDE Connector	Keentop	1014 Series	IDE Cable	1701440350
CN10	COM1 Connector	Keentop	1014 Series	Serial Port Cable	1701100207
CN11	Floppy Connector	Keentop	1014 Series	Floppy Disk Drive Cable	1701340703
CN12	Power Connector	Ever	2542H-04		N/A
CN13	COM2 Connector	Keentop	1014 Series	Serial Port Cable	1701100207
CN14	Ethernet Connector	Keentop	1014 Series	Ethernet Cable	1700100200
CN15	LCD Connector	HO TIEN	1255H		N/A
BAT1	Battery Connector	HRS	DF14-MS-1 .25C		N/A