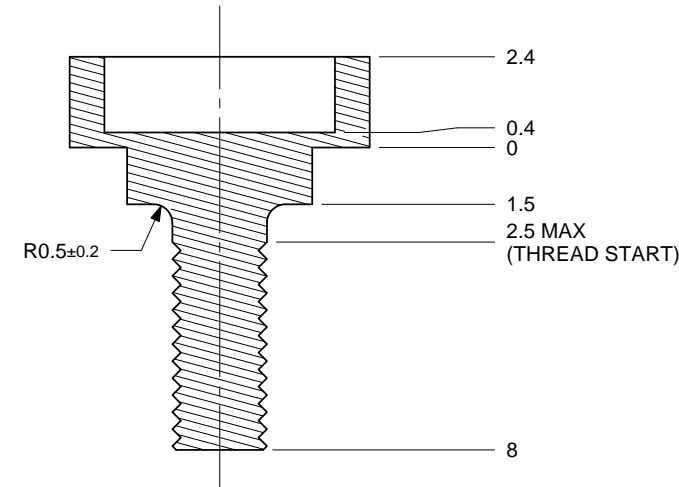
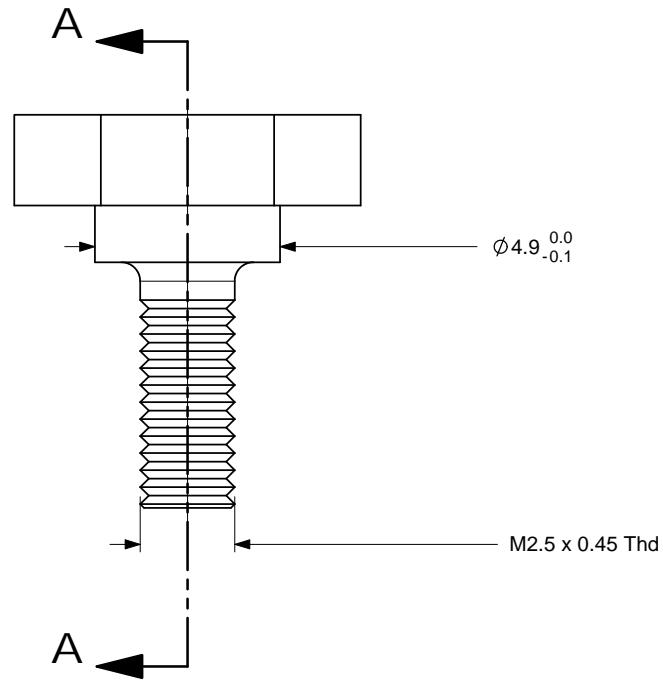
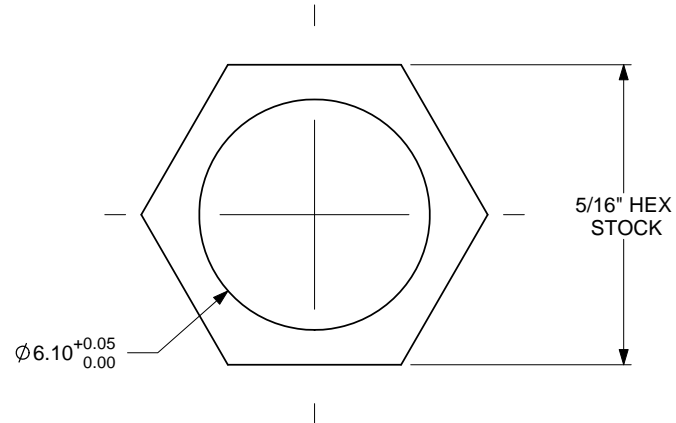


- Defaults:
 1] Refer to ANSI Standard Y14.5M - 1994 (or latest)
 2] Remove sharp edges (Radius or Chamfer 0.2 MAX)
 3] Inside corners R 0.2 MAX
 4] All Surfaces $\sqrt{3.2}$

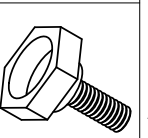
TOP

ACTUAL SCALE 1:1



FRONT

SECTION A-A



Barrett Confidential

This drawing and the intellectual property it describes are the property of Barrett Technology, Inc. Upon accepting receipt of this drawing you agree to the following: 1. No copies shall be made without written consent. 2. The drawing and its contents shall be guarded as confidential. 3. Upon request you shall return this drawing and any copies within 2 business days.
 ©1988-2007 Barrett Technology, Inc.



Barrett Technology, Inc.

625 Mount Auburn Street, Cambridge, MA 02138 U.S.A.
 www.barrett.com Ph +617-252-9000 Fx +617-252-9021 mfg@barrett.com

Dimensions are in millimeters. Default tolerance determined by # of plcs after metric value only.
 Default tolerances:

X	± 0.20 mm	[± 0.008 in]	A	± 30 Minutes
X.X	± 0.10 mm	[± 0.004 in]	A.A	± 5 Minutes
X.XX	± 0.05 mm	[± 0.002 in]	A.AA	± 1 Minute

Material
SS 303

Finish
None

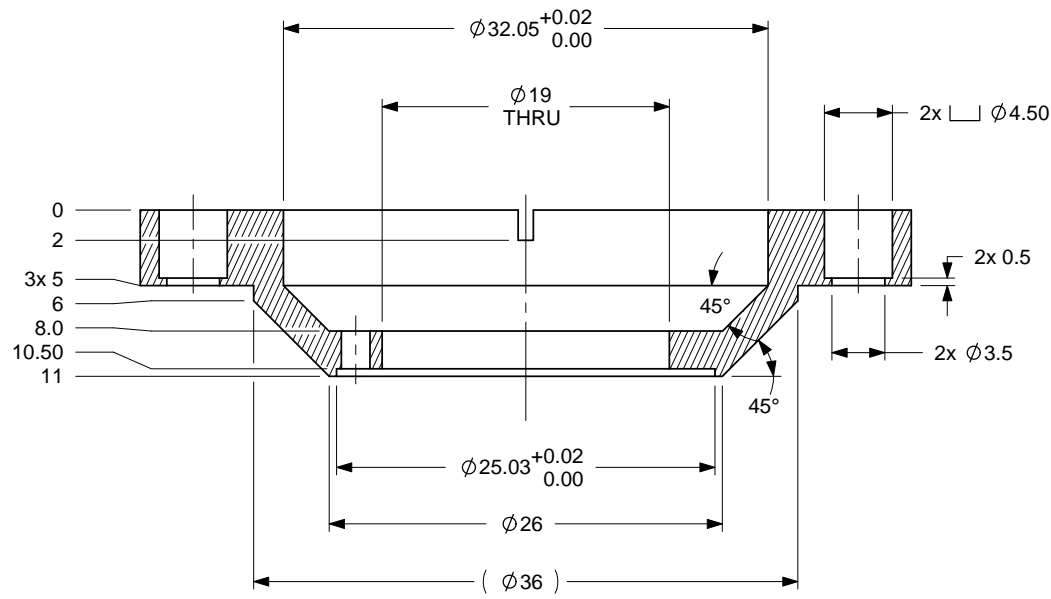
Drawn	DW	2007-Sep-20
Checked		

MagEnc-MagnetSpindle

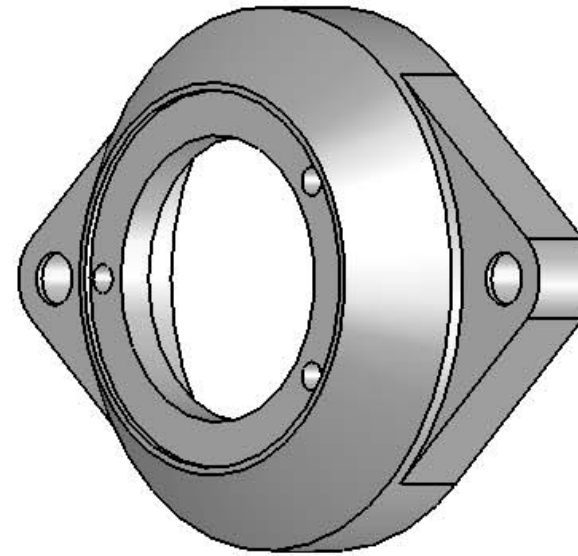
Size	B	PN	B3316	REV	AC.00
Scale	5:1	LegacyPN	Rev	Mass	1.029 g
				Sheet	1 of 1

- Defaults:
 1) Refer to ANSI Standard Y14.5M - 1994 (or latest)
 2) Remove sharp edges (Radius or Chamfer 0.2)
 3) Inside corners R 0.2 MAX
 4) All Surfaces

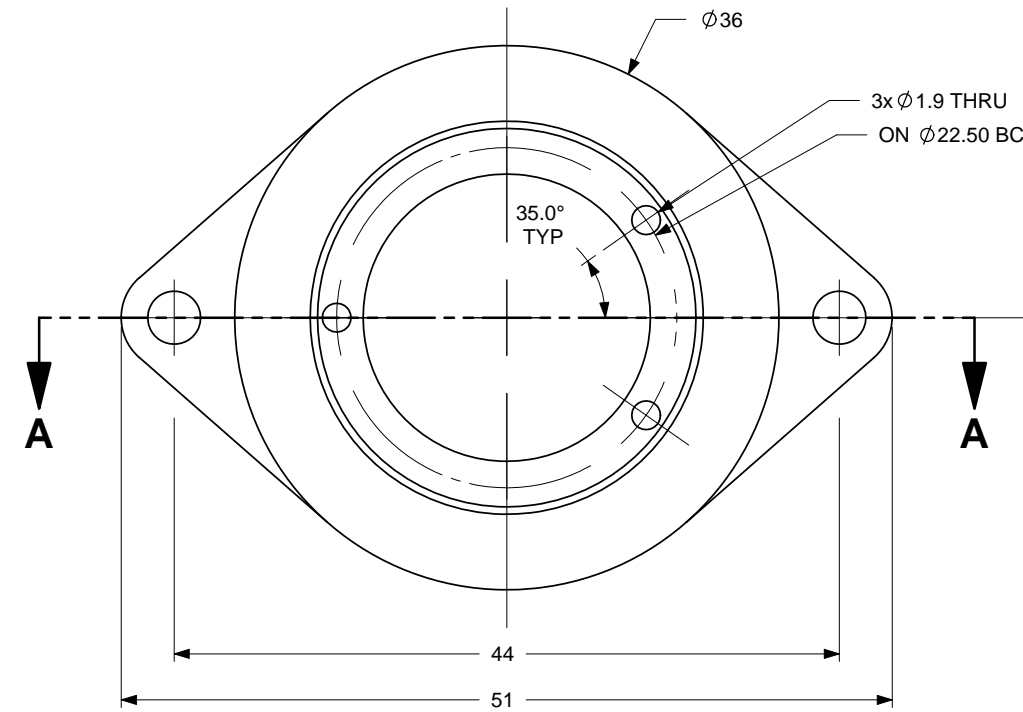
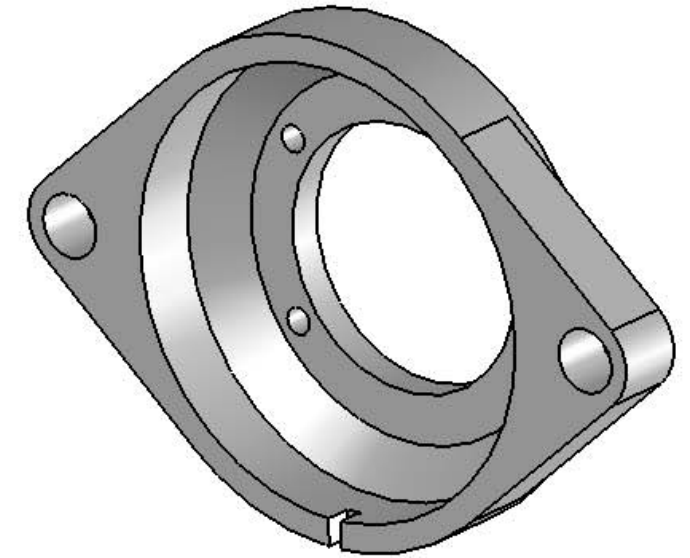
SECTION A-A



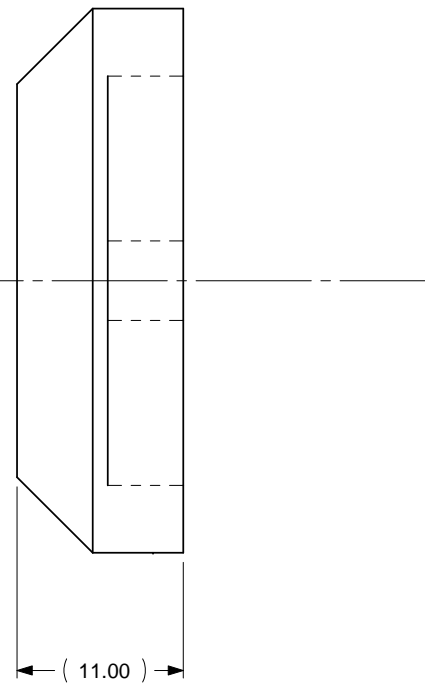
VIEW 1



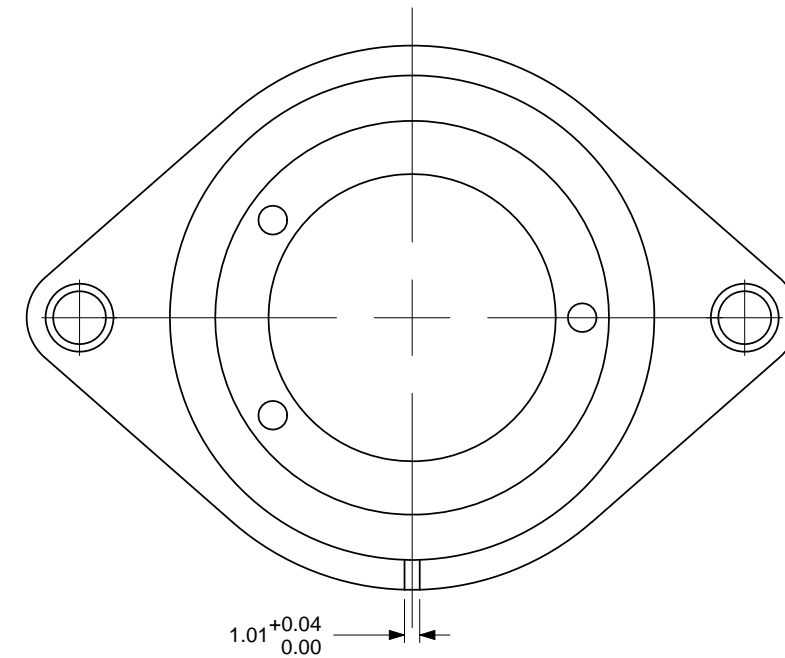
VIEW 2



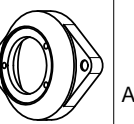
TOP



RIGHT



BOTTOM



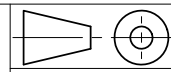
Barrett Confidential

This drawing and the intellectual property it describes are the property of Barrett Technology, Inc. Upon accepting receipt of this drawing you agree to the following: 1. No copies shall be made without written consent. 2. The drawing and its contents shall be guarded as confidential. 3. Upon request you shall return this drawing and any copies within 2 business days.
 ©1988-2008 Barrett Technology, Inc.



Barrett Technology, Inc.

625 Mount Auburn Street, Cambridge, MA 02138 U.S.A.
 www.barrett.com Ph +617-252-9000 Fx +617-252-9021 mfg@barrett.com



Default Dimensions (X in mm, A in degrees):
 X ± 0.20 mm [±.008 in] A ± 0.5°
 X.X ± 0.10 mm [±.004 in] A.A ± 0.1°
 X.XX ± 0.05 mm [±.002 in] A.AA ± 0.01°

Material
AL 6061-T6

Finish
Anodize, 10 µin Max Thk, Clr

Drawn DW Sep 18, 2008
 Checked

Size B
 Scale 2:1

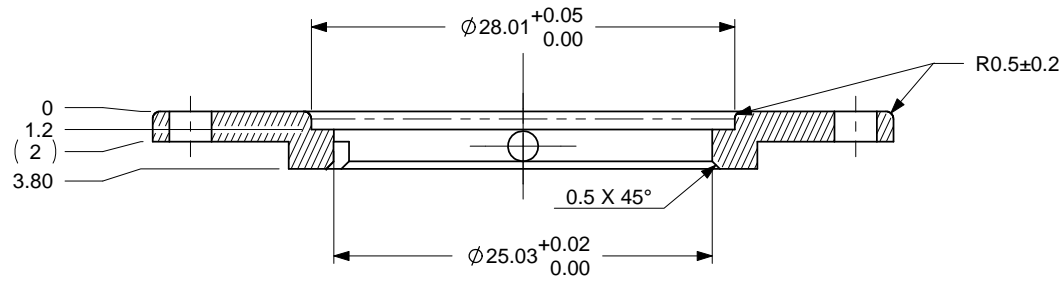
PuckMountAdaptor-M1-M4

REV AA.00 PN B3683

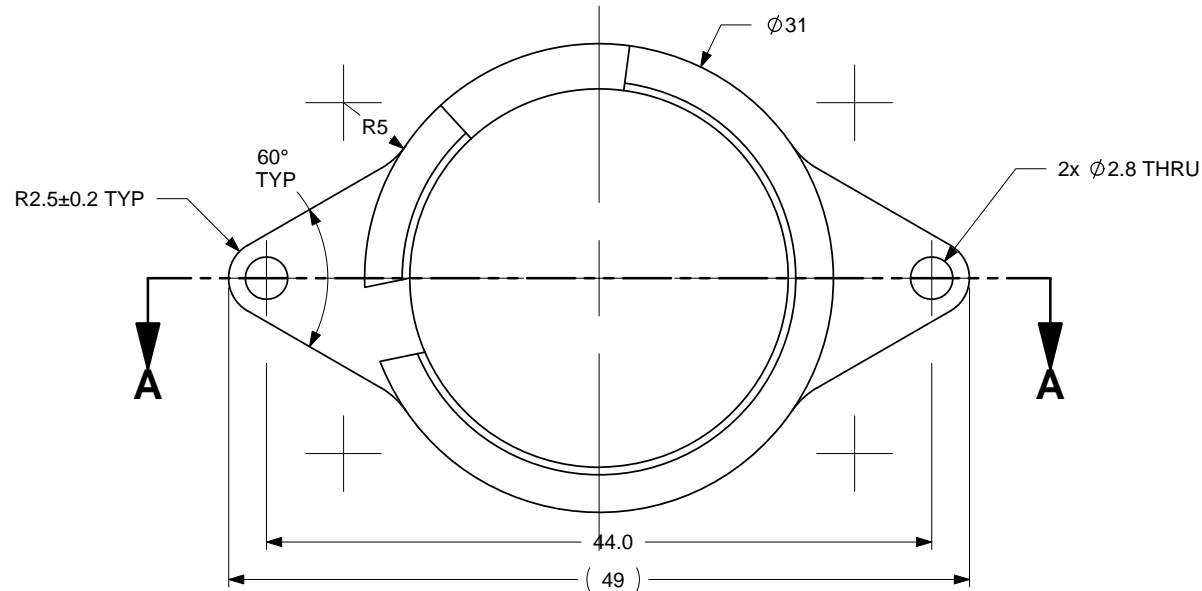
LegacyPN WAM Rev Mass 9.87 g Sheet 1 of 1

- Defaults:
 1) Refer to ANSI Standard Y14.5M - 1994 (or latest)
 2) Remove sharp edges (Radius or Chamfer 0.2)
 3) Inside corners R 0.2 MAX
 4) All Surfaces

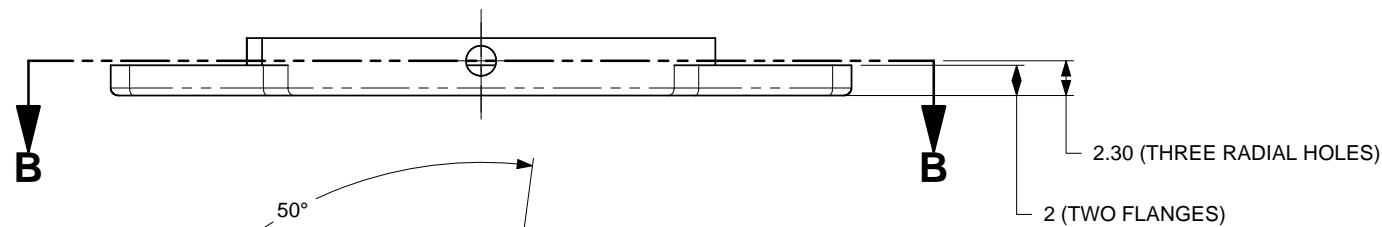
SECTION A-A



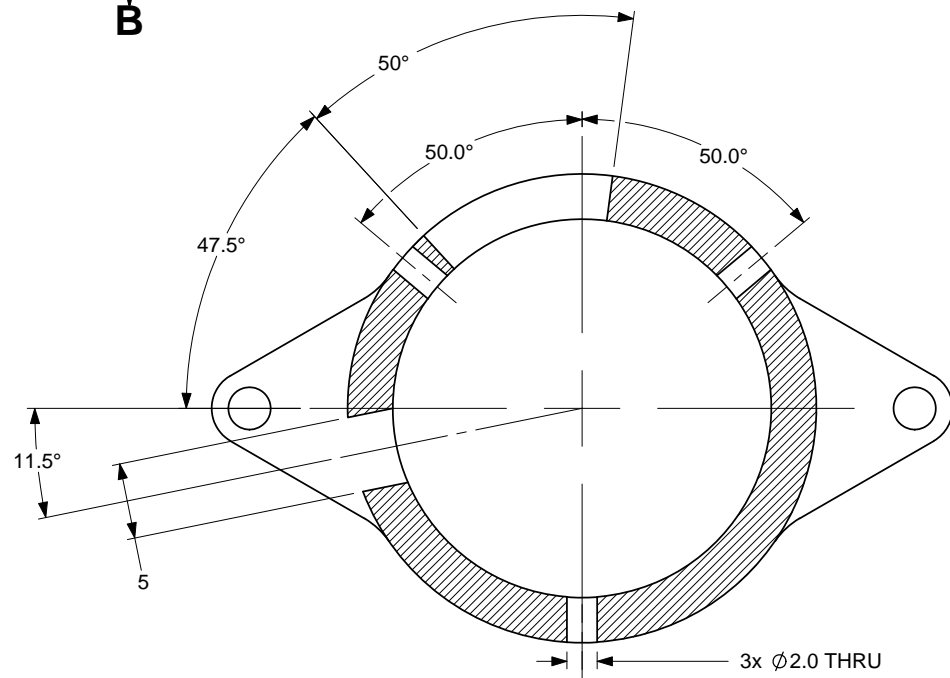
TOP



FRONT



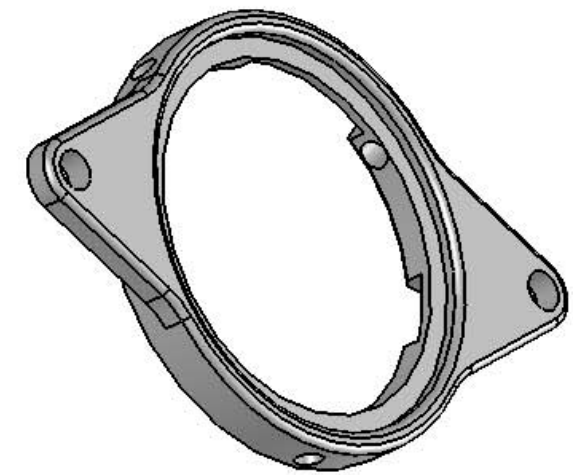
SECTION B-B



VIEW 1



VIEW 2



Barrett Confidential

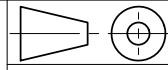
This drawing and the intellectual property it describes are the property of Barrett Technology, Inc. Upon accepting receipt of this drawing you agree to the following: 1. No copies shall be made without written consent. 2. The drawing and its contents shall be guarded as confidential. 3. Upon request you shall return this drawing and any copies within 2 business days.
 ©1988-2008 Barrett Technology, Inc.



Barrett Technology, Inc.

625 Mount Auburn Street, Cambridge, MA 02138 U.S.A.
 www.barrett.com Ph +617-252-9000 Fx +617-252-9021 mfg@barrett.com

Created by: on Thursday, September 18, 2008 5:50:37 PM Modified by: dw on Wednesday, September 24, 2008 10:23:01 AM Model Rev: AB.00 Date printed: 9/24/2008



Default Dimensions (X in mm, A in degrees):
 X ± 0.20 mm [±.008 in] A ± 0.5°
 X.X ± 0.10 mm [±.004 in] A.A ± 0.1°
 X.XX ± 0.05 mm [±.002 in] A.AA ± 0.01°

Material
AL 6061-T6

Finish
Anodize, 10 µm Max Thk, Clr

Drawn	DW	Sep 22, 2008
Checked		

Size **B**
 Scale **2:1**

PuckMountAdaptor-M5-M6

REV **AB.00** PN **B3684**

LegacyPN Wrist	Rev	Mass 2.72 g	Sheet 1 of 1
----------------	-----	--------------------	--------------