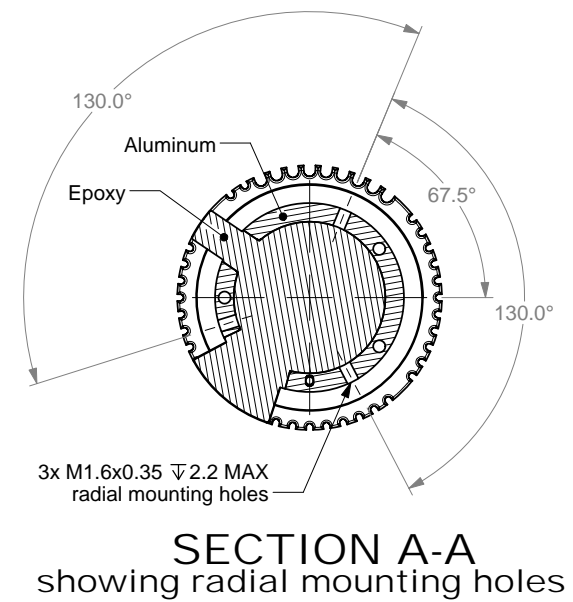
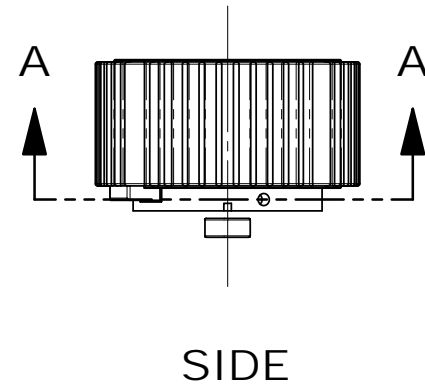
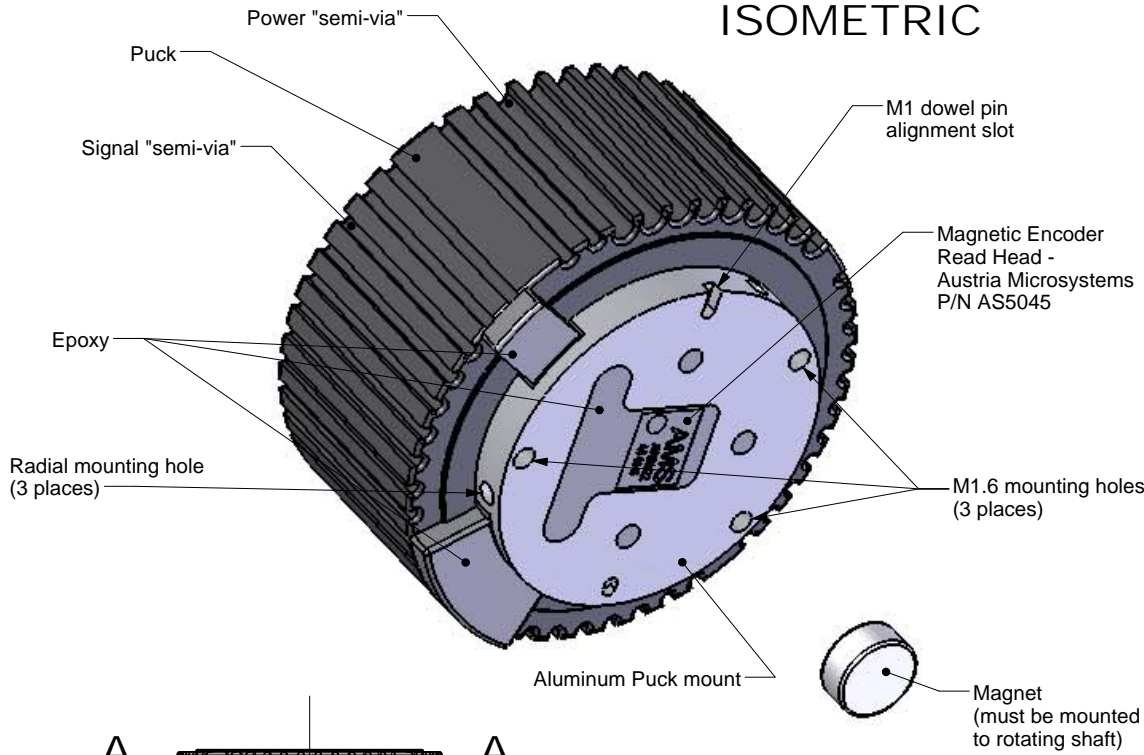
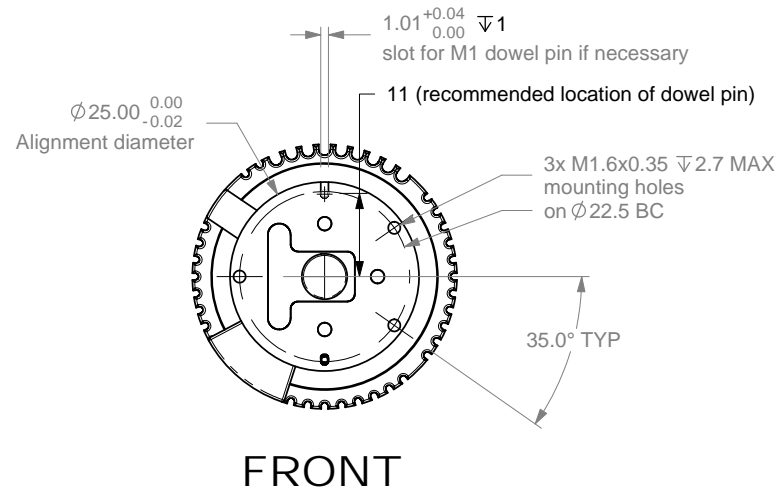
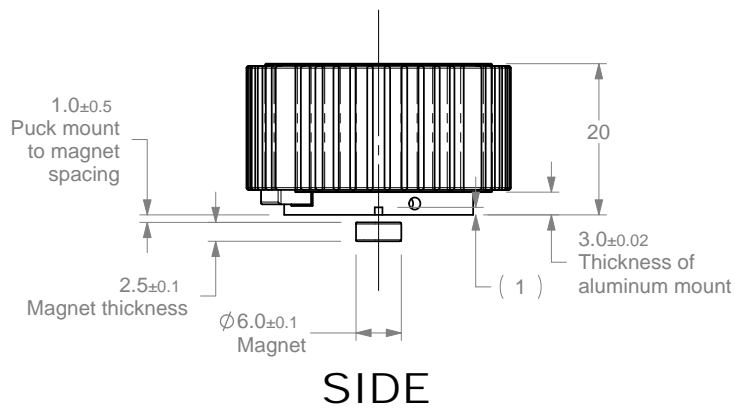
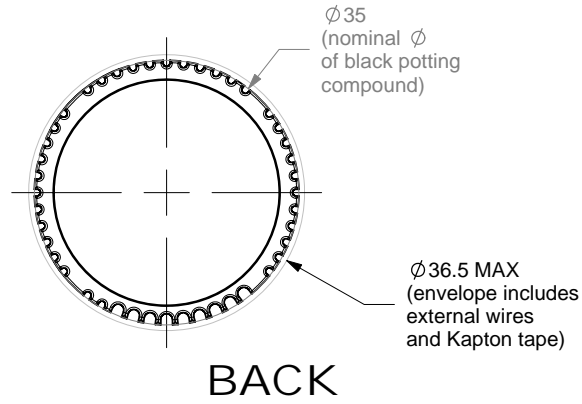


- Defaults:
 1] Refer to ANSI Standard Y14.5M - 1994 (or latest)
 2] Remove sharp edges (Radius or Chamfer 0.2)
 3] Inside corners R 0.2 MAX
 4] All Surfaces



Connection "A": Power Pigtail Specifications

Wires are 20 AWG, twisted, and approximately 11 cm long from the Puck to the back of the connector.
 Connector: Molex 39-01-2021 (housing) and Molex 39-00-0041 (pins).
 Mating Connector: Molex 39-01-2020 (housing) and Molex 44476-3112 (sockets).

Position	Signal	Wire Color
1	24-90 VDC	red
2	V return	gray

Connection "B": Earth Ground Specifications

Wire is 20 AWG and approximately 3 cm long from the Puck to the back of the spade terminal.
 Spade Terminal: Molex 191460113. Connect to motor case.
 Mating Screw: M3 (Metric) or #4 (English).

Connection "C": Motor Phase Pigtail Specifications

Wires are 20 AWG, twisted, and approximately 7.5 cm long from the Puck to the back of the connector.
 Connector: Molex 43645-0301 (housing) and Molex 43031-0009 (pins).
 Mating Connector: Molex 43645-0300 (housing) and Molex 43030-0009 (sockets).

Position	Signal	Wire Color
1	Phase C	black
2	Phase A	red
3	Phase B	white

Connection "D": CAN Pigtail Specifications

Wires are 28 AWG, twisted, and approximately 6.5 cm long from the Puck to the back of the connector.
 Connector: Molex 43640-0200 (housing) and Molex 43030-0009 (sockets).
 Mating Connector: Molex 43640-0201 (housing) and Molex 43031-0009 (pins).

Position	Signal	Wire Color
1	CAN Lo	brown
2	CAN Hi	white

Connection "E1": Motor Feedback Pigtail Specifications (Optional)

Wires are 28 AWG, and approximately 9.5 cm long from the Puck to the back of the connector.
 Connector: Hirose DF11-8DS-2C (housing) and Hirose DF11-2428SCA (sockets).
 Mating Connector: Hirose DF11-8DEP-2C (housing) and Hirose DF11-EP2428PCA (pins).

Position	Signal	Wire Color
1	5V +	blue
2	5V return	green
3	Hall A	brown
4	Motor windings temperature	violet
5	Hall B	orange
6	n/c	n/c
7	Hall C	yellow
8	n/c	n/c

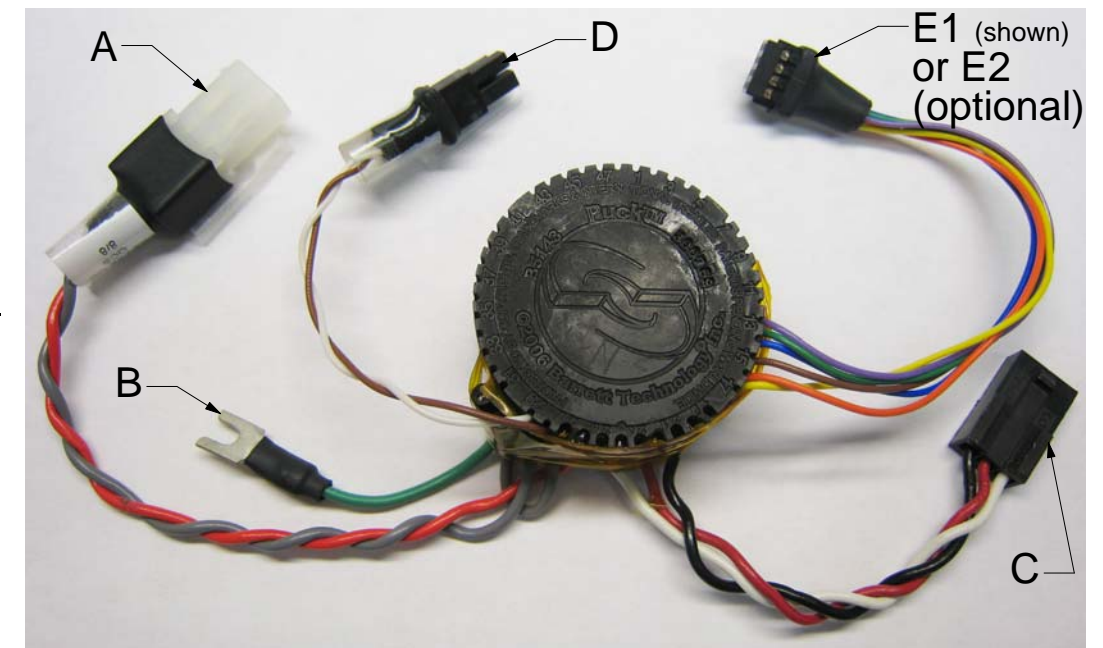
Connection "E2": Motor Temp. Pigtail Specifications (Optional)

Wires are 28 AWG, and approximately 10.5 cm long from the Puck to the back of the connector.
 Connector: Hirose DF11-4DS-2C (housing) and Hirose DF11-2428SCA (sockets).
 Mating Connector: Hirose DF11-4DEP-2C (housing) and Hirose DF11-EP2428PCA (pins).

Position	Signal	Wire Color
1	n/a	n/a
2	V return	green
3	n/a	n/a
4	Motor windings temperature	violet

Application Notes:

- Supplied magnet must be mounted to rotating shaft. The Puck mount axis should be centered over the magnet axis within a tolerance of ±0.15mm. Consult Austria Microsystems datasheet (P/N AS5045) for angular accuracy relative to alignment.
- The encoder read head protrudes slightly from the face of the encoder mount, so there should be no material between the encoder read head and face of magnet.
- Alternate or custom wires and connectors are available. Consult Barrett Technology to discuss.
- Additional signals from the Puck are available. Consult Barrett Technology to discuss.
- Additional hardware is available including threaded magnet holders (B3316), and various Puck mount adaptors (B3683, B3684).



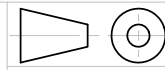
Barrett Confidential

This drawing and the intellectual property it describes are the property of Barrett Technology, Inc. Upon accepting receipt of this drawing you agree to the following: 1. No copies shall be made without written consent. 2. The drawing and its contents shall be guarded as confidential. 3. Upon request you shall return this drawing and any copies within 2 business days.
 ©1988-2009 Barrett Technology, Inc.



Barrett Technology, Inc.

625 Mount Auburn Street, Cambridge, MA 02138 U.S.A.
 www.barrett.com Ph +617-252-9000 Fx +617-252-9021 mfg@barrett.com



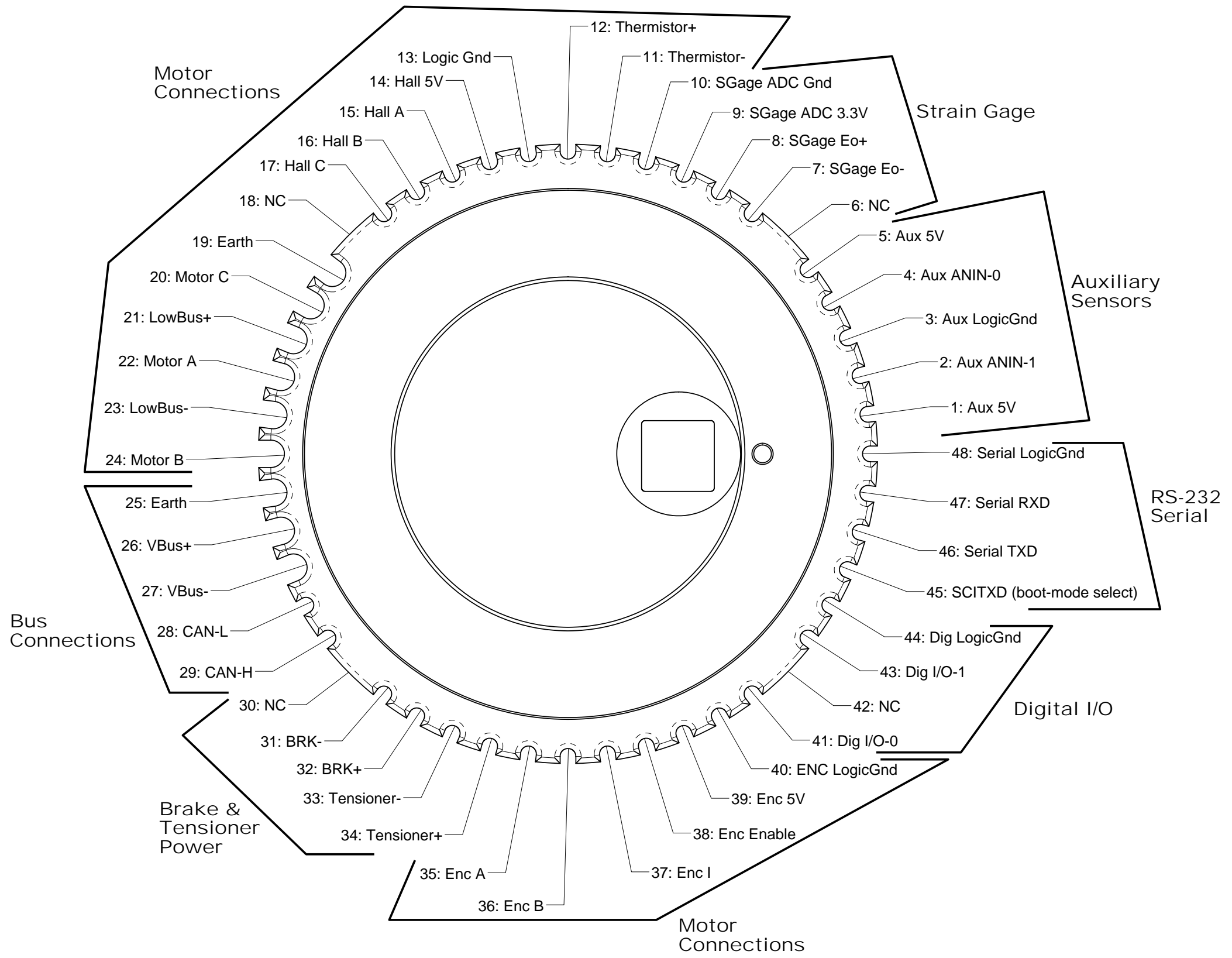
Default Dimensions (X in mm, A in degrees):
 X ± 0.20 mm [±.008 in] A ± 0.5°
 X.X ± 0.10 mm [±.004 in] A.A ± 0.1°
 X.XX ± 0.05 mm [±.002 in] A.AA ± 0.01°

Material		
Finish		
Drawn	DW	Mar 30, 2009
Checked	WT	Apr 8, 2009

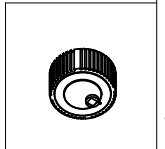
Puck II Specifications			
Size B	REV AC.00	PN B3880	
Scale 1:1	LegacyPN	Rev	Mass 46.129 g
			Sheet 1 of 1

E
D
C
B
A

E
D
C
B
A



Potted Puck With Pinouts



Barrett Confidential

This drawing and the intellectual property it describes are the property of Barrett Technology, Inc. Upon accepting receipt of this drawing you agree to the following: 1. No copies shall be made without written consent. 2. The drawing and its contents shall be guarded as confidential. 3. Upon request you shall return this drawing and any copies within 2 business days.
©1988-2007 Barrett Technology, Inc.



Barrett Technology, Inc.

625 Mount Auburn Street, Cambridge, MA 02138 U.S.A.
www.barrett.com Ph +617-252-9000 Fx +617-252-9021 mfg@barrett.com

ASSEMBLY
DRAWING

Pucks

~~Potted Puck Assembly With Wire~~

Drawn	DW	2007-Sep-12	Size B	PN B3880	REV AC.00
Checked			Scale 4:1	Mass g	Sheet 1 of 1