

Finger 3

Finger 2

Finger 1

Barrett Confidential

This drawing and the intellectual property it describes are the property of Barrett Technology, Inc. Upon accepting receipt of this drawing you agree to the following: 1. No copies shall be made without written consent. 2. The drawing and its contents shall be guarded as confidential. 3. Upon request you shall return this drawing and any copies within 2 business days.

©1988-2010 Barrett Technology, Inc.



Barrett Technology, Inc.

625 Mount Auburn Street, Cambridge, MA 02138 U.S.A.
www.barrett.com Ph +617-252-9000 Fx +617-252-9021 mfg@barrett.com

Created by: on Monday, September 27, 2010 4:05:20 PM Modified by: ek on Tuesday, March 15, 2011 5:25:46 PM Model Rev: 01.03 Date printed: 3/15/2011

REFERENCE DRAWING

BH8-280 Options

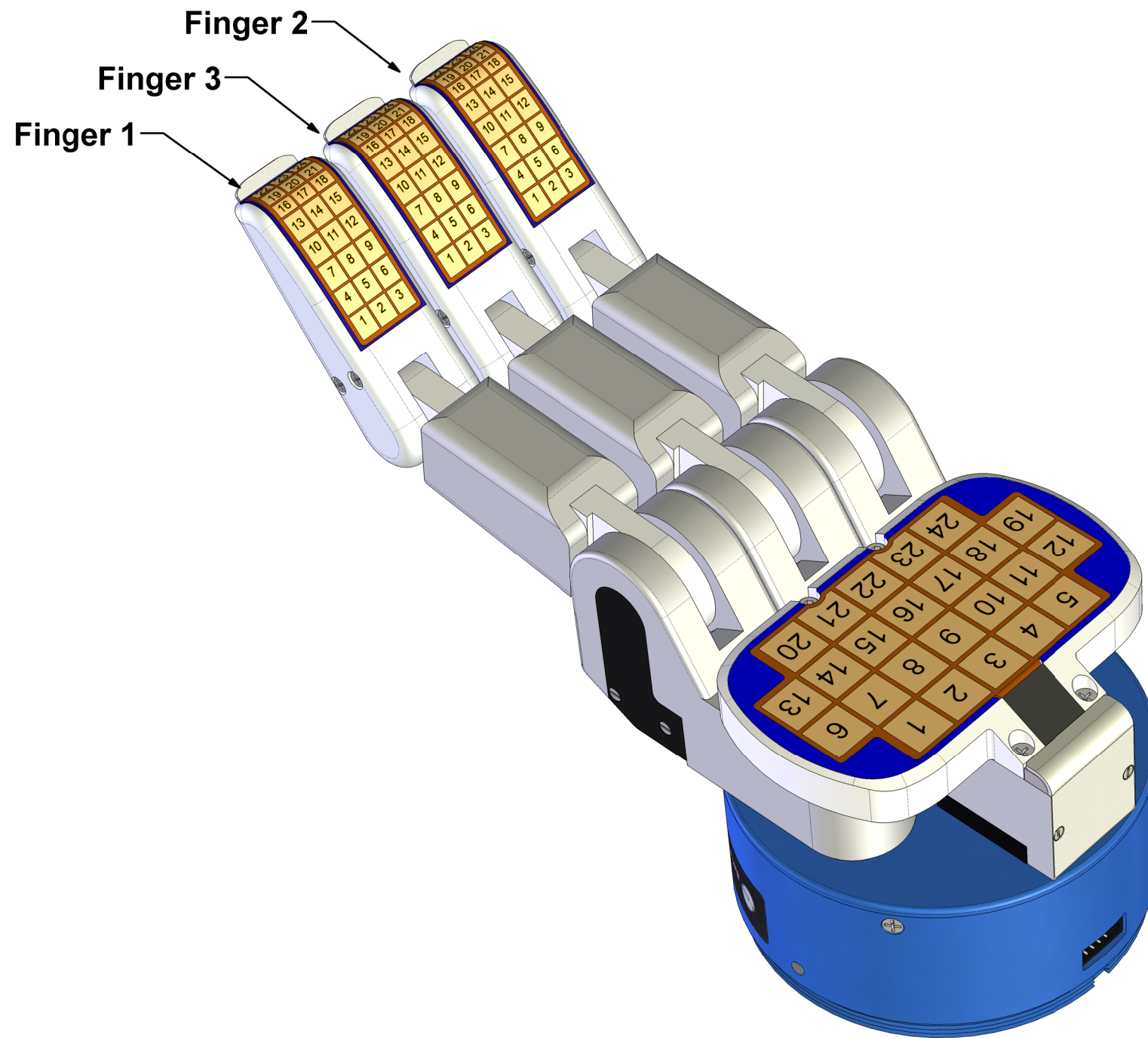
Drawn	EK	Sep 28, 2010
Checked	DW	Sep 28, 2010

Size B
Scale 2:3

Tactile Sensor Overview

PN **B4161** REV **02.00**

Sheet 1 of 1



Barrett Confidential

This drawing and the intellectual property it describes are the property of Barrett Technology, Inc. Upon accepting receipt of this drawing you agree to the following: 1. No copies shall be made without written consent. 2. The drawing and its contents shall be guarded as confidential. 3. Upon request you shall return this drawing and any copies within 2 business days.

©1988-2010 Barrett Technology, Inc.



Barrett Technology, Inc.

625 Mount Auburn Street, Cambridge, MA 02138 U.S.A.
www.barrett.com Ph +617-252-9000 Fx +617-252-9021 mfg@barrett.com

Created by: on Monday, September 27, 2010 4:05:20 PM Modified by: ek on Tuesday, March 15, 2011 5:25:46 PM Model Rev: 01.03 Date printed: 3/15/2011

**REFERENCE
DRAWING**

BH8-280 Options

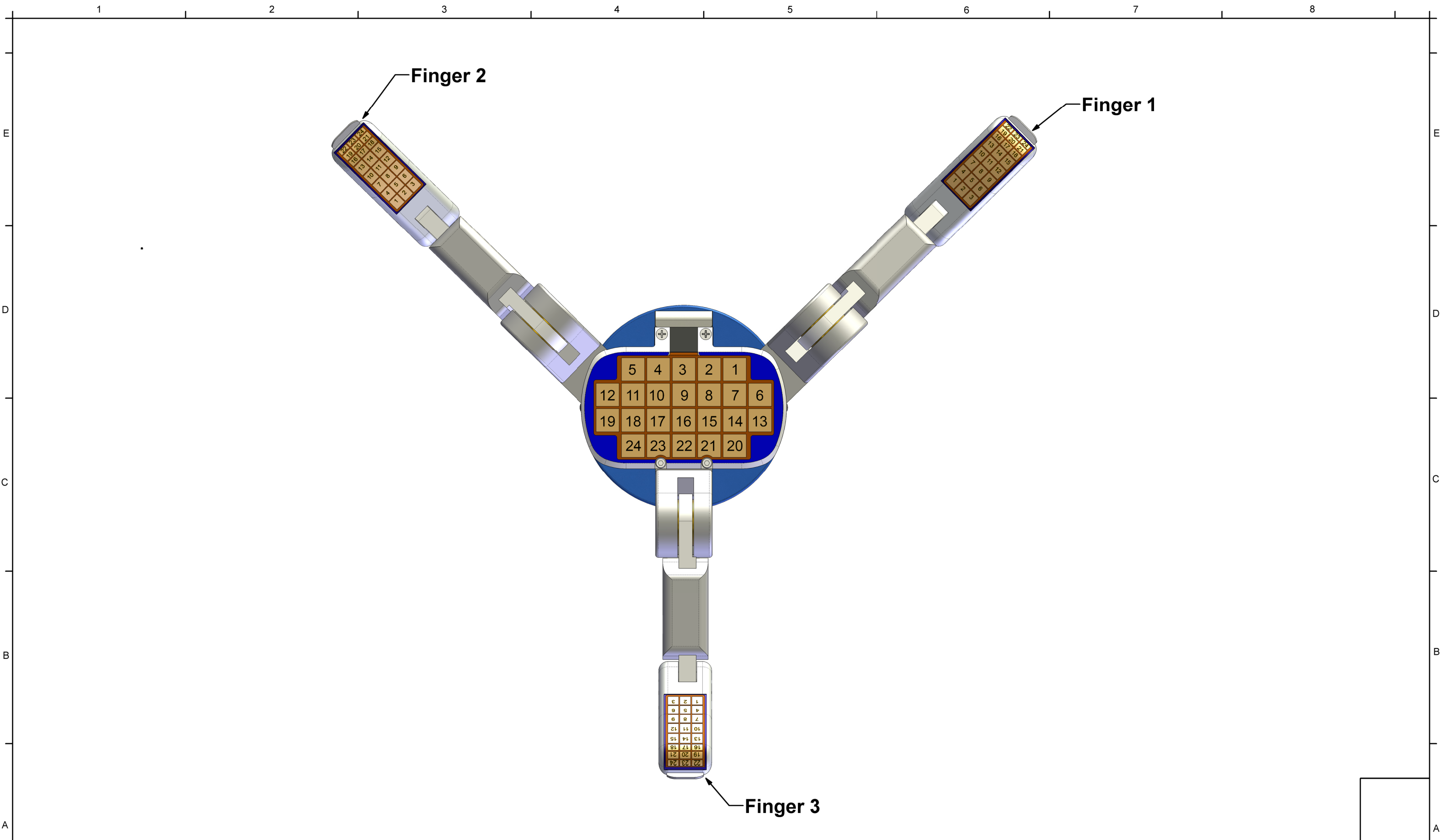
Drawn	EK	Sep 28, 2010
Checked	DW	Sep 28, 2010

Size B
Scale 2:3

Tactile Sensor Overview

PN **B4161** REV **02.00**

Sheet 1 of 1



Barrett Confidential

This drawing and the intellectual property it describes are the property of Barrett Technology, Inc. Upon accepting receipt of this drawing you agree to the following: 1. No copies shall be made without written consent. 2. The drawing and its contents shall be guarded as confidential. 3. Upon request you shall return this drawing and any copies within 2 business days.

©1988-2010 Barrett Technology, Inc.



Barrett Technology, Inc.

625 Mount Auburn Street, Cambridge, MA 02138 U.S.A.
 www.barrett.com Ph +617-252-9000 Fx +617-252-9021 mfg@barrett.com

Created by: on Monday, September 27, 2010 4:05:20 PM Modified by: ek on Tuesday, March 15, 2011 5:35:47 PM Model Rev: 01.03 Date printed: 3/15/2011

REFERENCE
DRAWING

BH8-280 Options

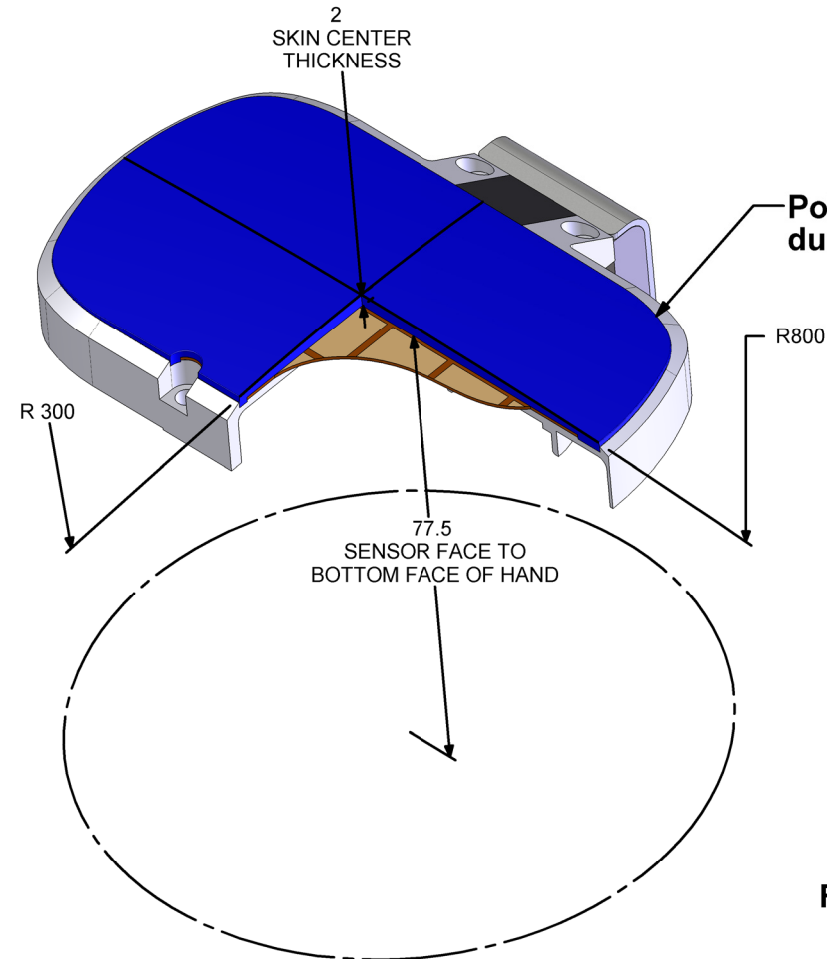
Drawn	EK	Sep 28, 2010
Checked	DW	Sep 28, 2010

Size B
Scale 2:3

Tactile Sensor Overview

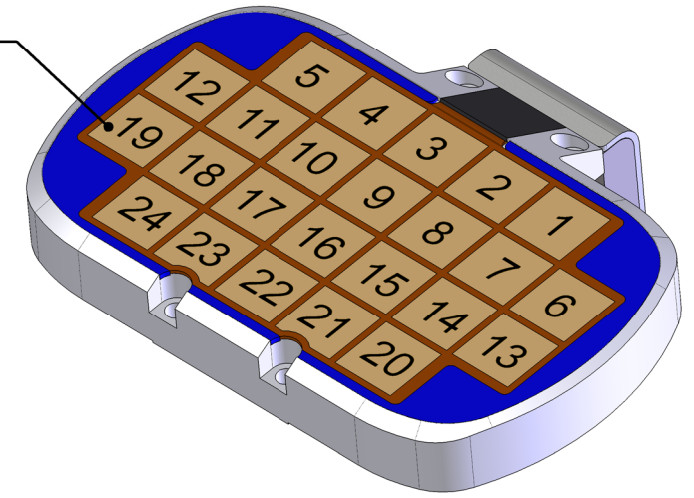
PN **B4161** REV **02.00**

All dimensions in mm

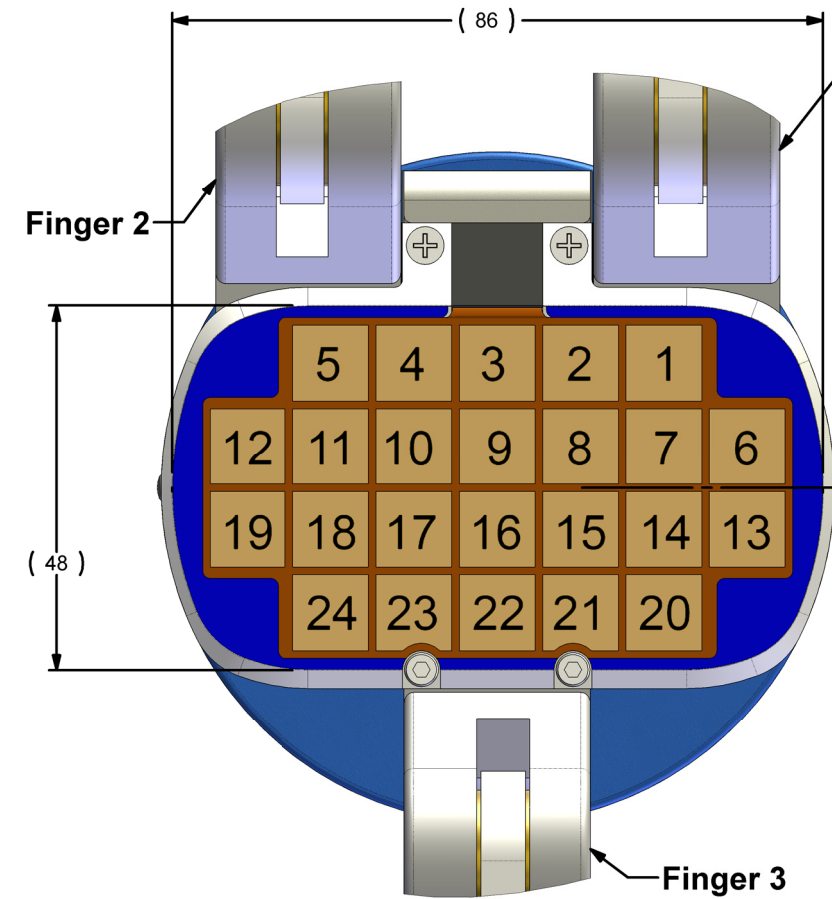


SKIN CONTOUR

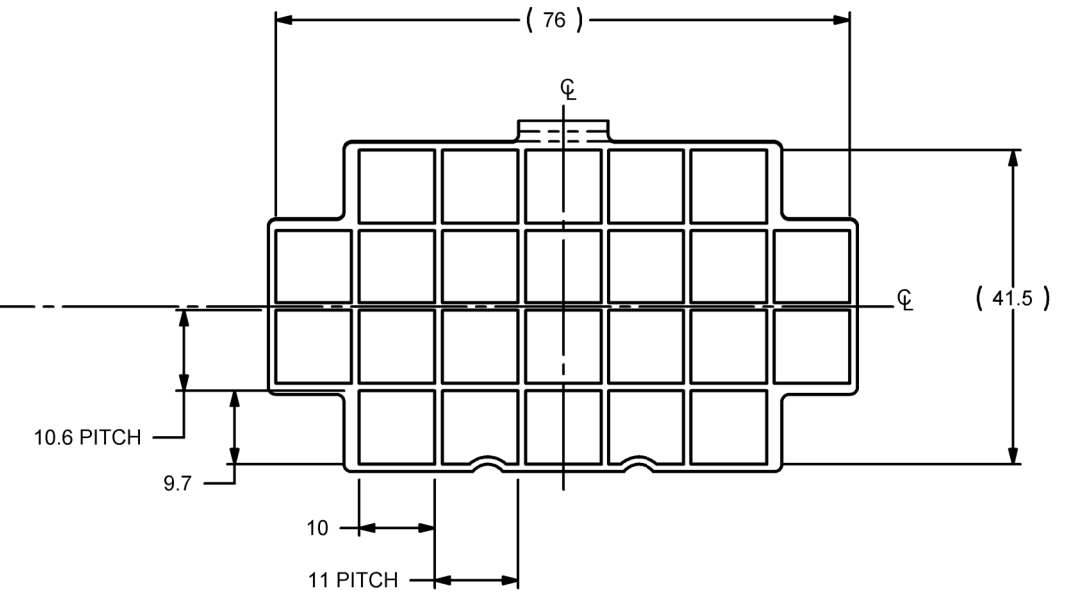
Sensor cell ID numbers



FULL CUTAWAY

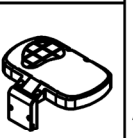


PARTIAL CUTAWAY



CELL DIMENSIONS

24-Cell Palm Tactile Array	
Element Type	Capacitive
Range	10 N/cm ²
Resolution	0.02 N/cell (cell area 10 cm ²)



Barrett Confidential

This drawing and the intellectual property it describes are the property of Barrett Technology, Inc. Upon accepting receipt of this drawing you agree to the following: 1. No copies shall be made without written consent. 2. The drawing and its contents shall be guarded as confidential. 3. Upon request you shall return this drawing and any copies within 2 business days.
©1988-2010 Barrett Technology, Inc.



Barrett Technology, Inc.

625 Mount Auburn Street, Cambridge, MA 02138 U.S.A.
www.barrett.com Ph +617-252-9000 Fx +617-252-9021 mfg@barrett.com

REFERENCE DRAWING

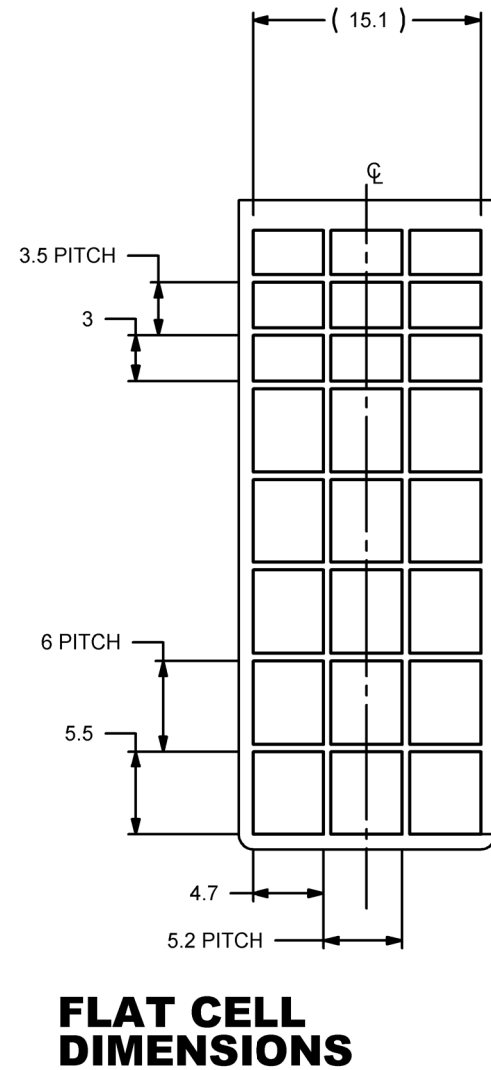
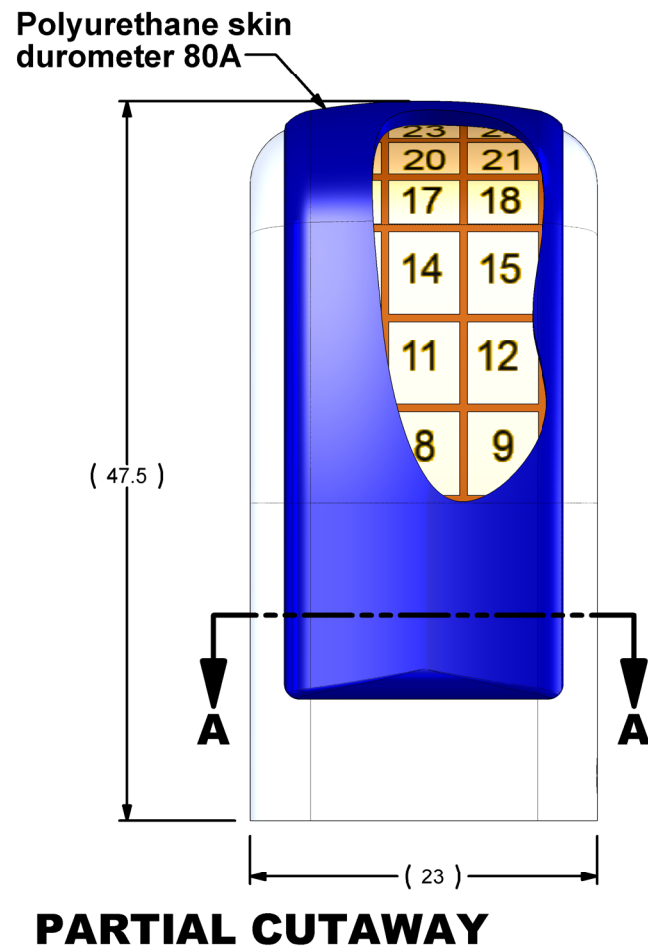
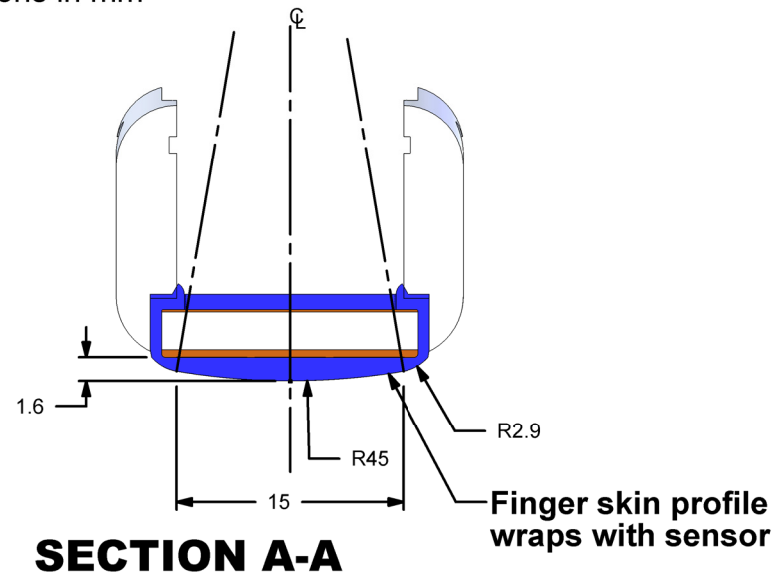
BH8-280 Options

Drawn	EK	Sep 28, 2010
Checked	DW	Sep 28, 2010

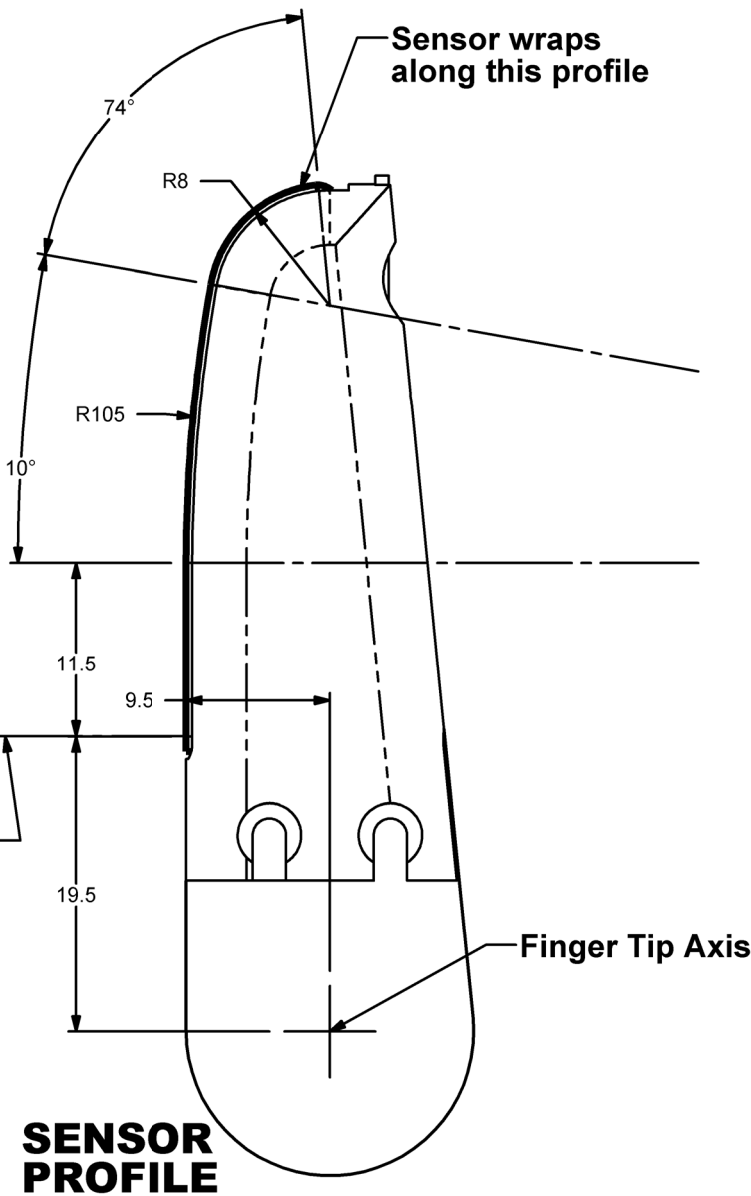
Palm Tactile Sensor Dimensions

Size B	PN B4046	REV 02.00
Scale 1:1		Sheet 1 of 1

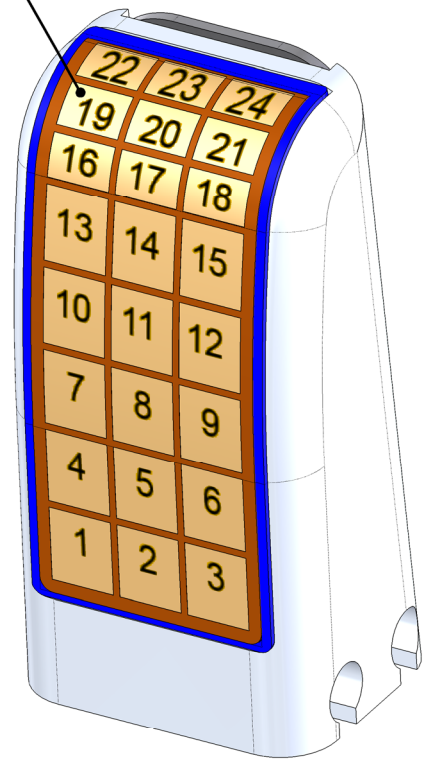
All dimensions in mm



Bottom edge of first row of cells



Sensor cell ID numbers



24-Cell Finger Tip Tactile Array	
Element Type	Capacitive
Range	10 N/cm ²
Resolution	Cells 1-15: 0.01N/cell (cell area 0.3 cm ²)
	Cells 16-24: 0.01N/cell (cell area 0.15 cm ²)

Barrett Confidential

This drawing and the intellectual property it describes are the property of Barrett Technology, Inc. Upon accepting receipt of this drawing you agree to the following: 1. No copies shall be made without written consent. 2. The drawing and its contents shall be guarded as confidential. 3. Upon request you shall return this drawing and any copies within 2 business days.



Barrett Technology, Inc.

625 Mount Auburn Street, Cambridge, MA 02138 U.S.A.
www.barrett.com Ph +617-252-9000 Fx +617-252-9021 mfg@barrett.com

REFERENCE DRAWING

BH8-280 Options

Finger Tactile Sensor Dimensions

Drawn	EK	Sep 27, 2010
Checked	DW	Sep 28, 2010

Size B
Scale 1:1

PN **B4172**

REV **01.00**

Sheet 1 of 1

