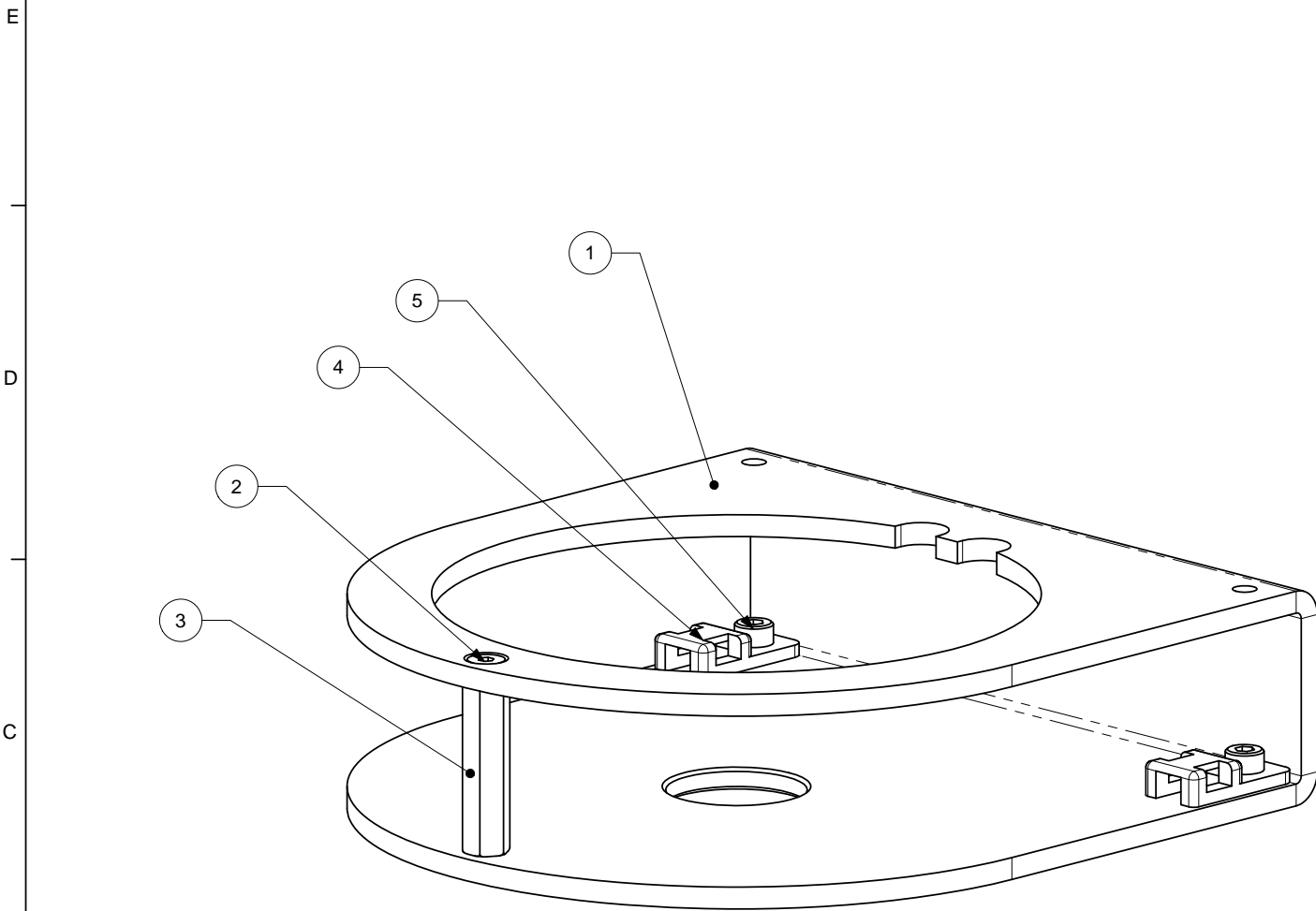
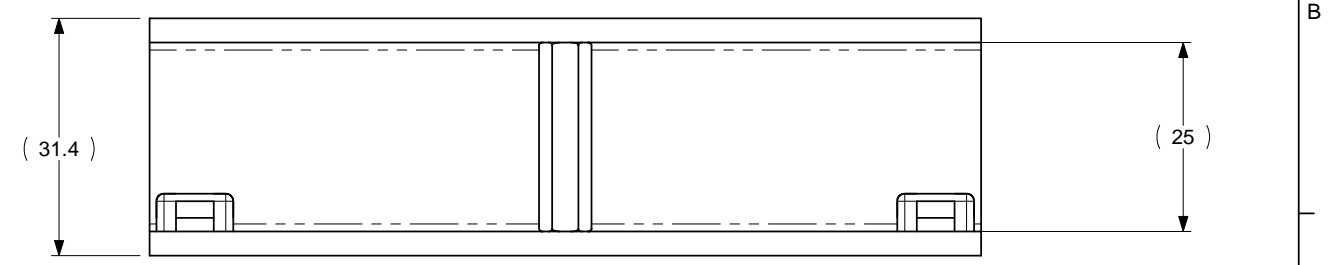
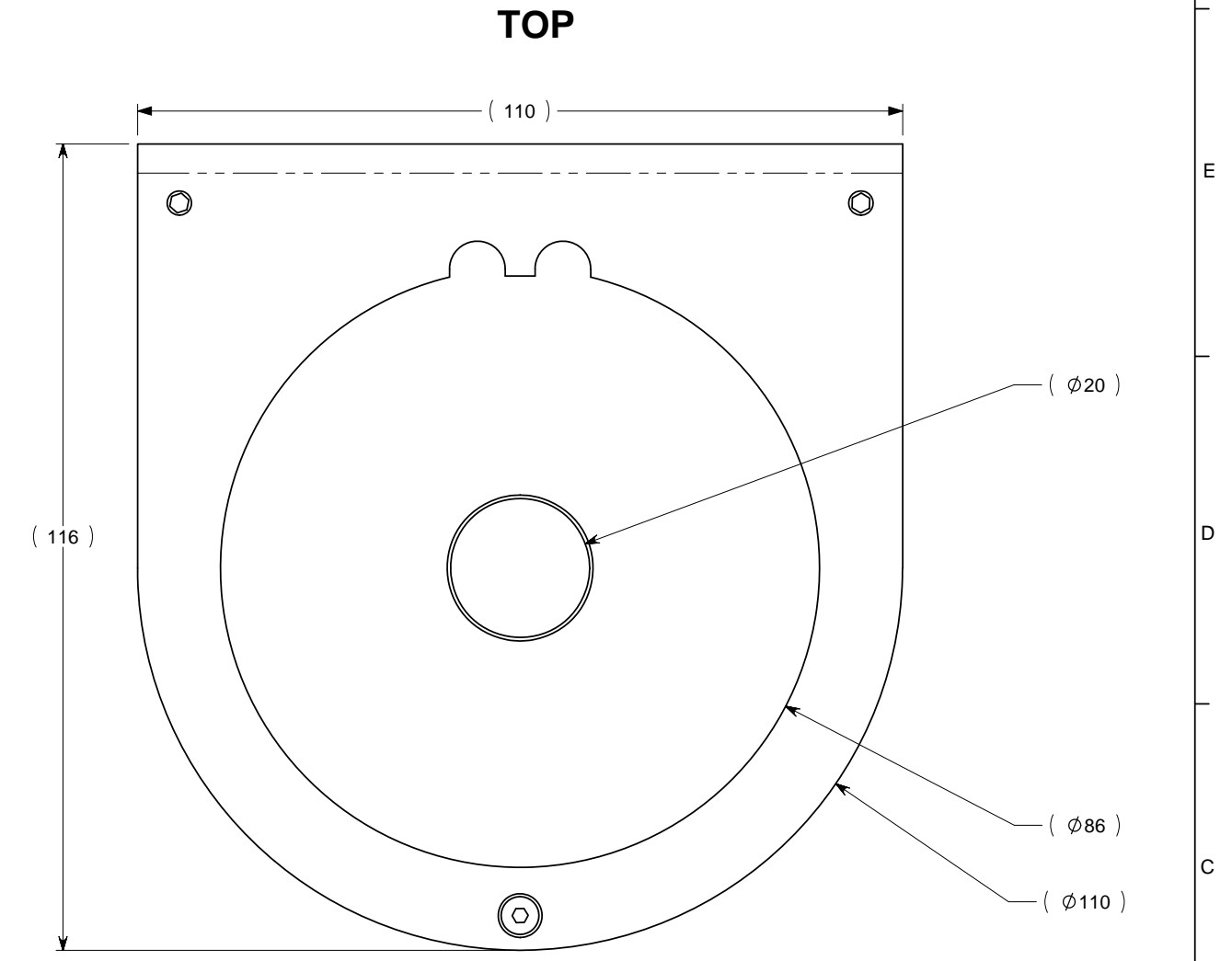


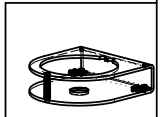
Item	Qty	P/N	ModelRev	Description	DwgRevsAccepted
1	1	B1401	AB.00	AdapterPlate	
2	2	B1071	AA.11	M3-0.5x12 FHCS, SS 18-8	
3	1	B2698	01.02	HexStandoff-M3-Fem-Fem-25lg	
4	2	B2921	01.01	zip-tieAnchor-offset	
5	2	B3214	01.01	M3-0.5x4 SHCS	



ISOMETRIC VIEW



FRONT



Barrett Confidential

This drawing and the intellectual property it describes are the property of Barrett Technology, Inc. Upon accepting receipt of this drawing you agree to the following: 1. No copies shall be made without written consent. 2. The drawing and its contents shall be guarded as confidential. 3. Upon request you shall return this drawing and any copies within 2 business days.

©1988-2005 Barrett Technology, Inc.



Barrett Technology, Inc.

625 Mount Auburn St, Cambridge, MA 02138 U.S.A.
www.barrett.com Ph +617-252-9000 Fx +617-252-9021 mfg@barrett.com

Created by: on Wednesday, November 21, 2001 6:10:19 PM Modified by: dw on Friday, January 22, 2010 2:58:10 PM Model Rev: AA.00 Date printed: 1/22/2010

ASSEMBLY DRAWING

BHand-Assemblies

Drawn	DL	Jul 28, 2005
Checked	DW	Jan 22, 2010

Size B
Scale 1:1

AdapterPlateAssembly

PN **B1402** REV **AA.00**

Mass 169.606 g Sheet 1 of 1