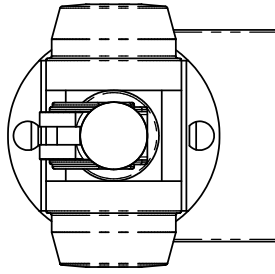
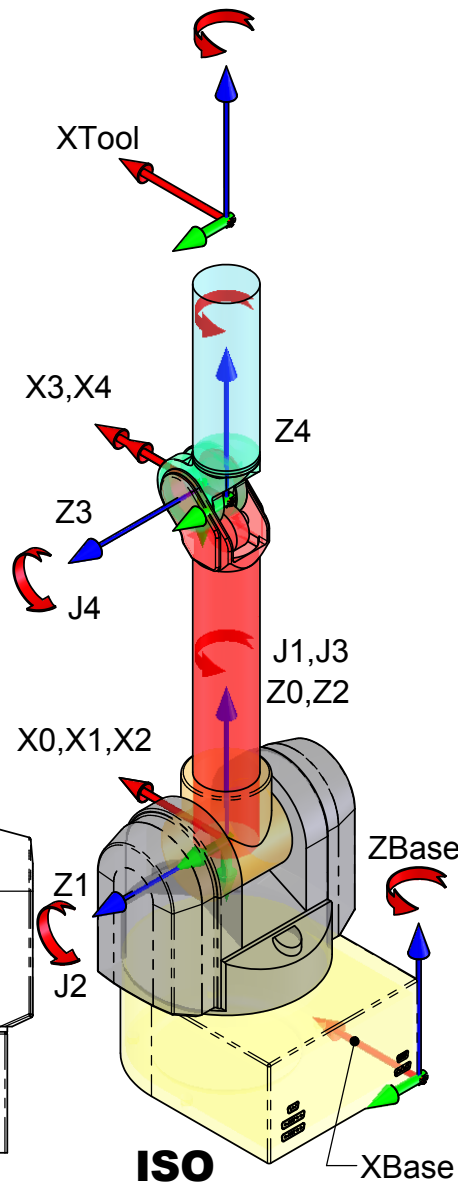


TOP



ZTool

XTool



900

550

0

186

346

Elbow
J4

Shoulder
J1, J2, J3

Ø 89

Ø 89

FRONT

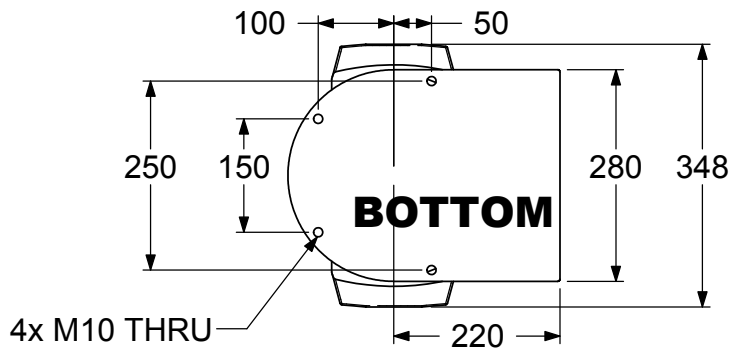
PROFILE

REAR

ISO

XBase

BOTTOM



wt 1/1/2005
wt 1/1/2005

ALL DIMS IN mm

Scale 1:10

Rev AA.00

Title:

WAM 4DOF Dims 2005

Barrett Confidential

This drawing and the intellectual property it describes are the property of Barrett Technology, Inc. Upon accepting receipt of this drawing you agree to the following: 1. No copies shall be made without written consent. 2. The drawing and its contents shall be guarded as confidential. 3. Upon request you shall return this drawing and any copies within 2 business days.



Barrett Technology, Inc.

625 Mount Auburn Street, Cambridge, MA 02138 U.S.A.
www.barrett.com Ph +617-252-9000 Fx +617-252-9021

©1988-2004 Barrett Technology, Inc.

Created by: on Sunday, April 17, 2005 6:20:11 PM Modified by: th on Thursday, May 19, 2005 11:41:38 AM

B2576 Model Rev: 01.00 Date printed: 5/19/2005